



POLARIS[®]
The Way Out.

Parts Manual

2002

SCRAMBLER 50
Model #A02EA05CA
Rev. 01

This page left intentionally blank.

TABLE OF CONTENTS
Scrambler 50 A02EA05CA
Parts Manual

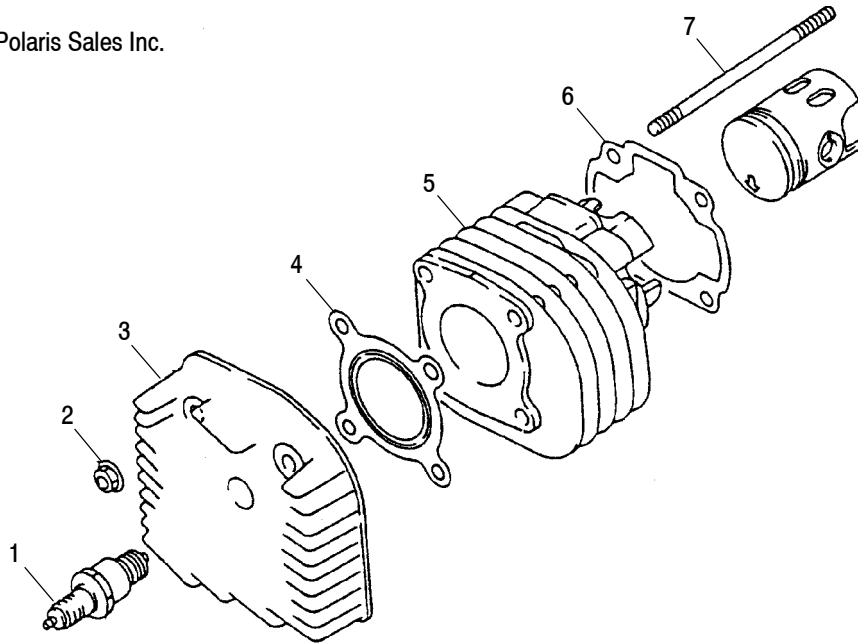
| | | | |
|----------|--|----------|--|
| A | AIR CLEANER A7 AXLE, REAR WHEEL B12 | F | FOOTREST B3 FRAME BODY B1 FUEL TANK B5 |
| B | BRAKE, FRONT B9 BRAKE, REAR B10 BRAKELIGHT C1 BUMPER B2 | G | GENERATOR C2 |
| C | CARBURETOR A8 CHAIN B13 CRANKCASE A10 CRANKSHAFT A4 CYLINDER HEAD A3 | H | HANDLEBAR B11 HEADLIGHT C1 |
| D | DECALS C4 DRIVE PULLEY A12 DRIVE SHAFT A13 | O | OIL PUMP ASSEMBLY A6 OIL TANK B5 |
| E | ELECTRICAL PARTS C3 ENGINE BRACKET A14 EXHAUST PIPE A9 | S | SEAT B4 STARTER A11 STARTING MOTOR C2 STEERING B14 SUSPENSION B6 SWING ARM B3 |
| F | FAN COVER A5 FENDER B4 | W | WHEEL, FRONT B7 WHEEL, REAR B8 |

The illustrations used in this Parts Manual are for reference to replacement parts only. This manual is not to be used for assembly.

CYLINDER HEAD

Scrambler 50 A02EA05CA

© 2001 Polaris Sales Inc.



Part numbers may have changed since this microfiche was issued. To ensure that correct parts are received, refer to PartSmart, which is updated monthly.

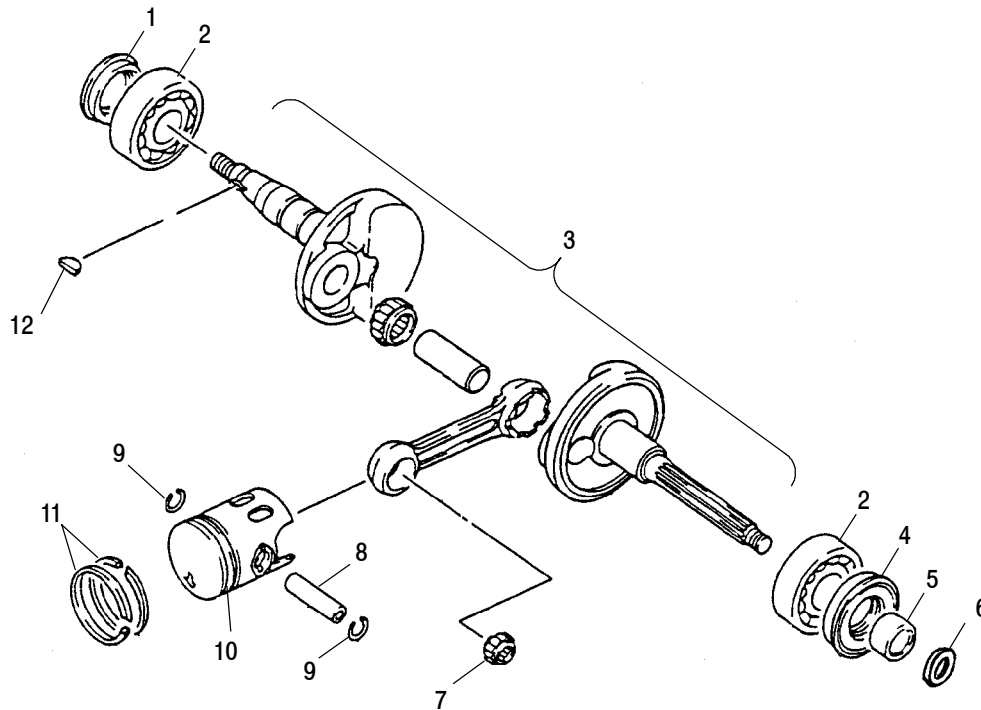
| Ref. Part No. | Qty. | Description |
|---------------|------|-----------------------|
| 1 0450005 | 1 | Plug, Spark |
| 2 0450012 | 4 | Nut, Flange |
| 3 0450001 | 1 | Head, Cylinder |
| 4 0450003 | 1 | Gasket, Cylinder Head |

| Ref. Part No. | Qty. | Description |
|---------------|------|------------------|
| 5 0450006 | 1 | Cylinder |
| 6 0450008 | 1 | Gasket, Cylinder |
| 7 0450010 | 4 | Bolt, Stud |

6/01

CRANKSHAFT

Scrambler 50 A02EA05CA



Part numbers may have changed since this microfiche was issued. To ensure that correct parts are received, refer to PartSmart, which is updated monthly.

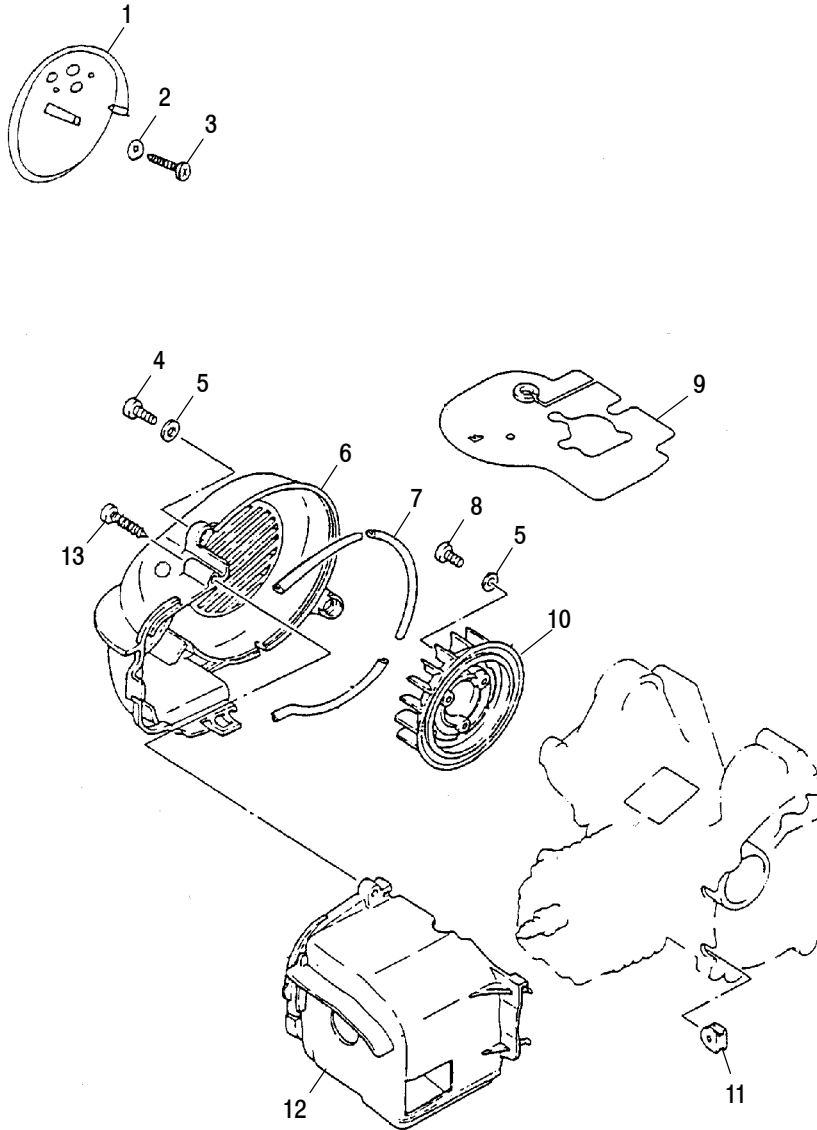
| Ref. Part No. | Qty. | Description |
|---------------|---------|-------------------------|
| 1 | 0450018 | 1 Seal, Oil |
| 2 | 0450016 | 2 Bearing, Ball, Radial |
| 3 | 0450013 | 1 Crankshaft |
| 4 | 0450017 | 1 Seal, Oil |
| 5 | 0450019 | 1 Collar, Crank, LH |
| 6 | 0450654 | 1 Washer, Plain |
| 7 | 0450028 | 1 Bearing, Needle |
| 8 | 0450022 | 1 Pin, Piston |

| Ref. Part No. | Qty. | Description |
|---------------|---------|---------------------------------|
| 9 | 0450026 | 2 Clip, Piston Pin |
| 10 | 0450801 | 1 Piston (Std) |
| | 0450652 | 1 Piston (.25 mm O/S) |
| | 0450733 | 1 Piston (.50 mm O/S) |
| 11 | 0450024 | 2 Ring Set, Piston (Std) |
| | 0450810 | 2 Ring Set, Piston (.25 mm O/S) |
| | 0450734 | 2 Ring Set, Piston (.50 mm O/S) |
| 12 | 0450015 | 1 Key, Semicycle |

6/01

FAN COVER

Scrambler 50 A02EA05CA



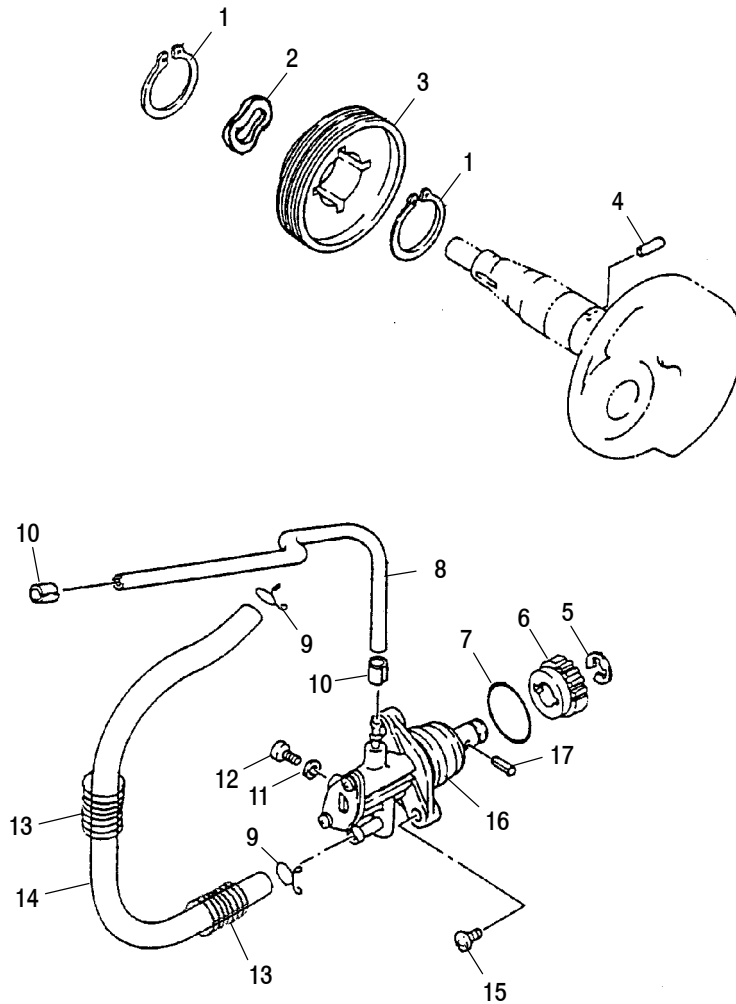
Part numbers may have changed since this microfiche was issued. To ensure that correct parts are received, refer to PartSmart, which is updated monthly.

| Ref. Part No. | Qty. | Description |
|---------------|---------|----------------------|
| 1 | 0450922 | 1 Cover, Dust, Fan |
| 2 | 0450041 | 1 Washer, Plain |
| 3 | 0450040 | 1 Screw, Tapping |
| 4 | 0450039 | 2 Bolt, Socket |
| 5 | 0450034 | 5 Washer, Plain |
| 6 | 0450706 | 1 Cover, Fan |
| 7 | 0450036 | 3 Damper, Air Shroud |

| Ref. Part No. | Qty. | Description |
|---------------|---------|-------------------------|
| 8 | 0450033 | 3 Bolt, Socket, Hex |
| 9 | 0450038 | 1 Deflector |
| 10 | 0450037 | 1 Fan |
| 11 | 0450031 | 2 Grommet, Cylinder |
| 12 | 0450814 | 1 Shroud, Air, Cylinder |
| 13 | 0450815 | 1 Screw, Tapping |

OIL PUMP ASSEMBLY

Scrambler 50 A02EA05CA



Part numbers may have changed since this microfiche was issued. To ensure that correct parts are received, refer to PartSmart, which is updated monthly.

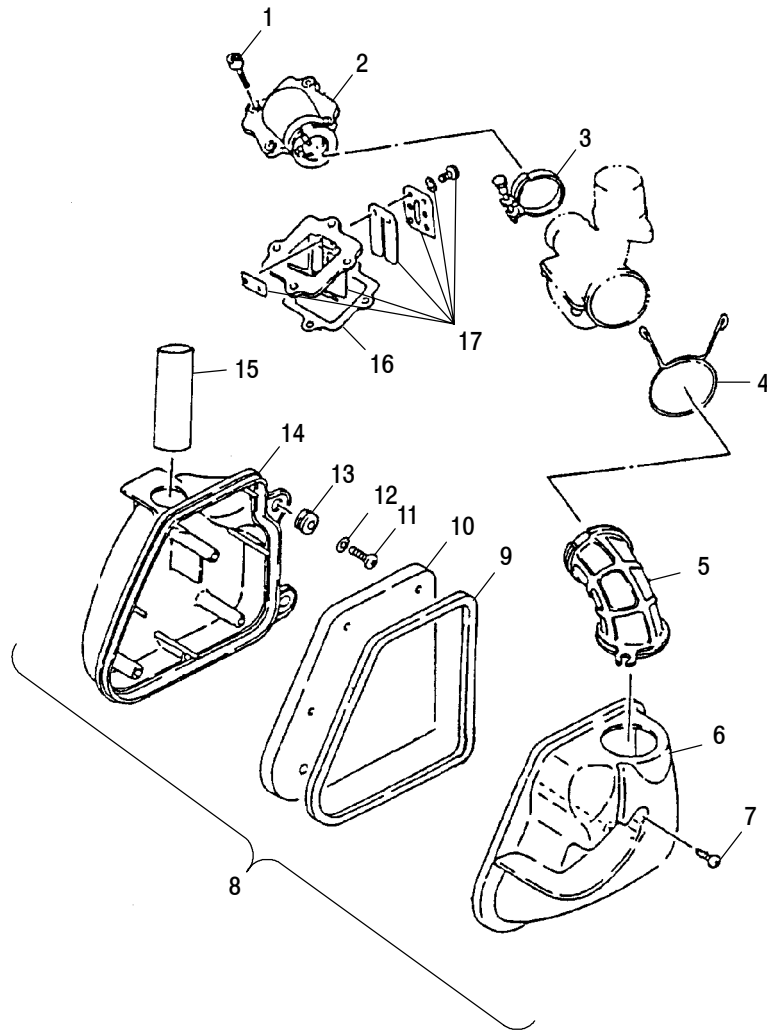
| Ref. | Part No. | Qty. | Description |
|------|----------|------|-----------------------|
| 1 | 0450060 | 2 | Circlip, External |
| 2 | 0450655 | 1 | Washer, Wave |
| 3 | 0450058 | 1 | Gear, Drive, Oil Pump |
| 4 | 0450059 | 1 | Pin, Dowel |
| 5 | 0450052 | 1 | Circlip, External |
| 6 | 0450049 | 1 | Gear, Worm, Oil Pump |
| 7 | 0450047 | 1 | O-Ring |
| 8 | 0450055 | 1 | Tube, Oil |
| 9 | 0450054 | 2 | Clip |

| Ref. | Part No. | Qty. | Description |
|------|----------|------|---|
| 10 | 0450056 | 2 | Clip |
| 11 | 0450046 | 1 | Washer |
| 12 | 0450884 | 1 | Bolt, Phillips |
| 13 | 0450061 | 2 | Spring, Protective, Oil Pipe |
| 14 | 0450053 | 1 | Tube, Oil |
| 15 | 0450057 | 2 | Bolt, Pan, Phillips |
| 16 | 0450817 | 1 | Asm., Oil Pump (Incl. 5,6,7,8,9,10,11,12,13,14,17) |
| 17 | 0450051 | 1 | Pin, Shaft |

6/01

AIR CLEANER

Scrambler 50 A02EA05CA



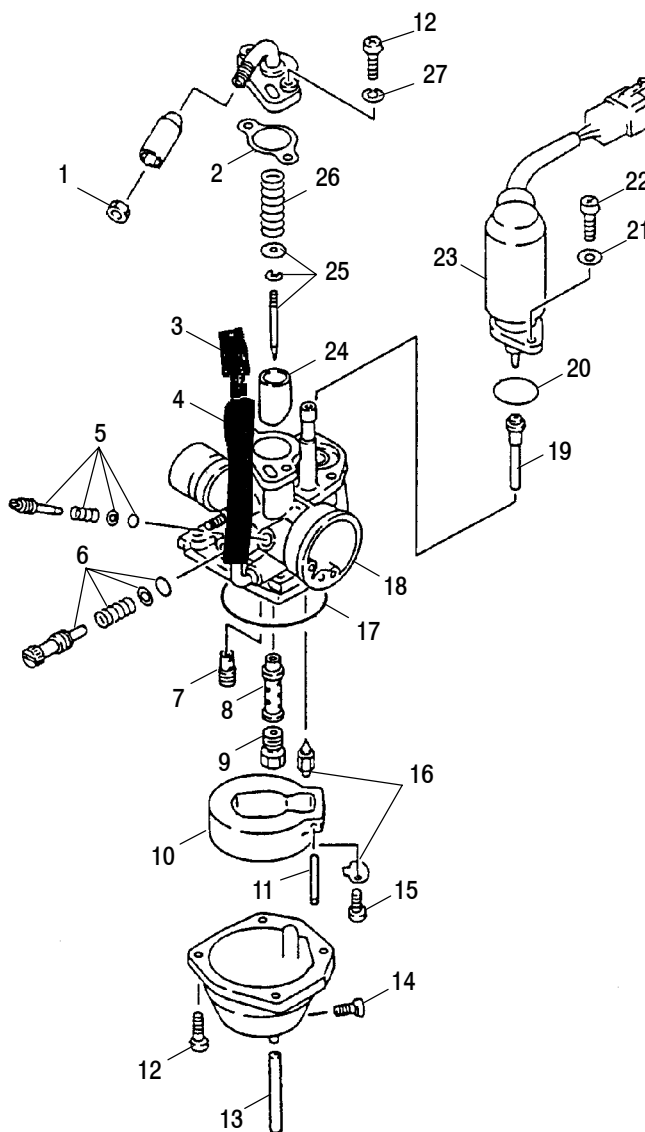
Part numbers may have changed since this microfiche was issued. To ensure that correct parts are received, refer to PartSmart, which is updated monthly.

| Ref. Part No. | Qty. | Description |
|---------------|---------|--|
| 1 | 0450066 | 4 Bolt, Hex, Washer Face |
| 2 | 0450065 | 1 Manifold, Intake |
| 3 | 0450067 | 1 Clamp, Hose |
| 4 | 0450068 | 1 Clip |
| 5 | 0450075 | 1 Elbow, Air Cleaner |
| 6 | 0450071 | 1 Cover, Air Cleaner |
| 7 | 0450076 | 3 Screw, Tapping |
| 8 | 0450069 | 1 Cleaner, Air (Incl. 5,6,7,9,10,13,14,15) |
| 9 | 0450074 | 1 Seal |

| Ref. Part No. | Qty. | Description |
|---------------|---------|------------------------|
| 10 | 0450073 | 1 Element, Air Cleaner |
| 11 | 0450039 | 2 Bolt, Socket |
| 12 | 0450034 | 2 Washer, Plain |
| 13 | 0450079 | 2 Grommet |
| 14 | 0450070 | 1 Case, Air Cleaner |
| 15 | 0450072 | 1 Pipe, Guide |
| 16 | 0450064 | 1 Gasket |
| 17 | 0450062 | 1 Asm., Reed Valve |

CARBURETOR

Scrambler 50 A02EA05CA



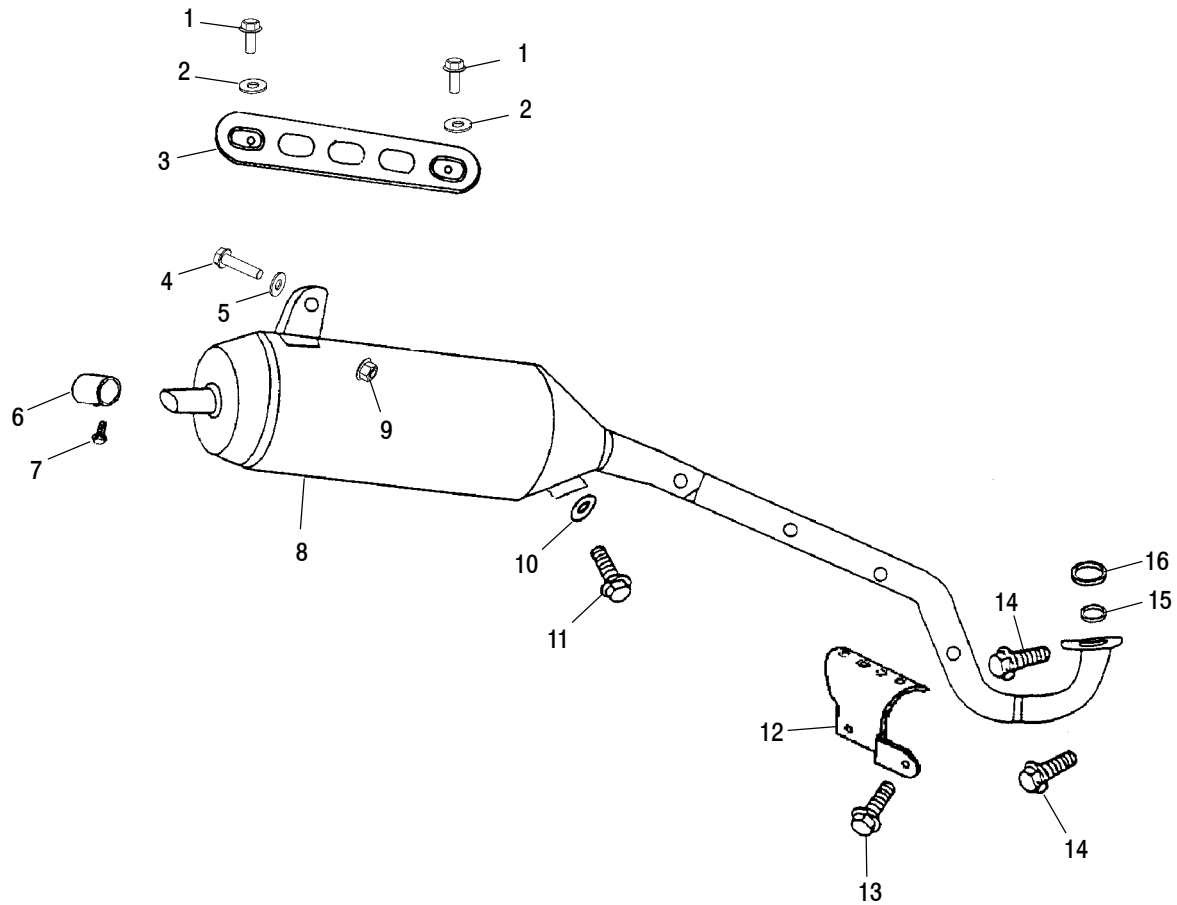
Part numbers may have changed since this microfiche was issued. To ensure that correct parts are received, refer to PartSmart, which is updated monthly.

| Ref. | Part No. | Qty. | Description |
|------|----------|------|-----------------------|
| 1 | 0450119 | 1 | Nut, Cable Adjust |
| 2 | 0450082 | 1 | Gasket |
| 3 | 0451014 | 1 | Plug |
| 4 | 0451013 | 1 | Tube, Carburetor |
| 5 | 0450102 | 1 | Screw Set, Air Adjust |
| 6 | 0450113 | 1 | Screw Set, Throttle |
| 7 | 0450100 | 1 | Jet, Pilot |
| 8 | 0450092 | 1 | Nozzle, Needle |
| 9 | 0450096 | 1 | Nozzle, Main |
| 10 | 0450976 | 1 | Float, Carb |
| 11 | 0450117 | 1 | Pin, Float |
| 12 | 0450086 | 6 | Bolt, Pan, Phillips |
| 13 | 0450098 | 1 | Tube, Overflow |
| 14 | 0450104 | 1 | Plug, Drain |

| Ref. | Part No. | Qty. | Description |
|------|----------|------|-------------------------------|
| 15 | 0450108 | 1 | Bolt, Pan, Phillips |
| 16 | 0450115 | 1 | Valve Set, Needle |
| 17 | 0450094 | 1 | Seal, Float Chamber |
| 18 | 0450931 | 1 | Asm., Carburetor (Incl. 1-27) |
| 19 | 0450923 | 1 | Nozzle, Choke |
| 20 | 0450111 | 1 | Ring, Oil |
| 21 | 0450107 | 2 | Washer, Plain |
| 22 | 0450106 | 2 | Bolt, Pan, Phillips |
| 23 | 0450109 | 1 | Plunger, Starter (Incl. 20) |
| 24 | 0450088 | 1 | Valve, Throttle |
| 25 | 0450090 | 1 | Needle Set |
| 26 | 0450084 | 1 | Spring, Throttle Stop |
| 27 | 0450087 | 2 | Washer, Spring |

EXHAUST PIPE

Scrambler 50 A02EA05CA



Part numbers may have changed since this microfiche was issued. To ensure that correct parts are received, refer to PartSmart, which is updated monthly.

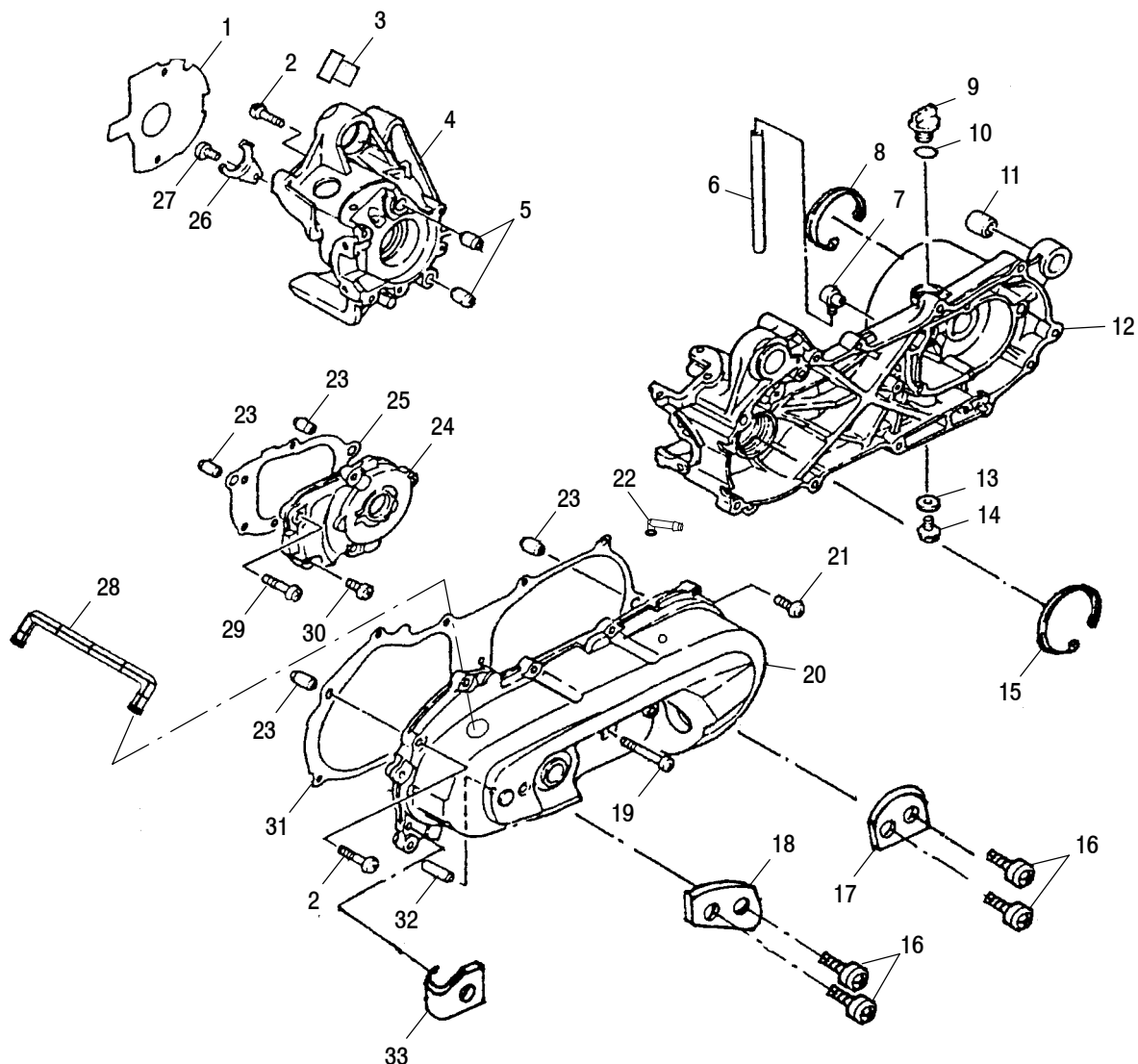
| Ref. | Part No. | Qty. | Description |
|------|----------|------|--|
| 1 | 0450658 | 2 | Bolt, Phillips |
| 2 | 0450126 | 2 | Gasket |
| 3 | 0450657 | 1 | Protector, Pipe, Exhaust |
| 4 | 0450684 | 1 | Bolt, Hex, Washer Face |
| 5 | 0450279 | 1 | Washer, Plain |
| 6 | 0450933 | 1 | Restrictor, Exhaust |
| 7 | 0450899 | 1 | Bolt, Hex |
| 8 | 0450818 | 1 | Asm., Exhaust Pipe (Incl. 1-3,6-12,15) |
| | 0450656 | 1 | Pipe, Exhaust |

| Ref. | Part No. | Qty. | Description |
|------|----------|------|---------------------------|
| 9 | 0450282 | 1 | Nut, Hex, Washer Face |
| 10 | 0450659 | 1 | Gasket |
| 11 | 0450325 | 1 | Bolt, Hex, Washer Face |
| 12 | 0450925 | 1 | Plate, Fixed |
| 13 | 0450298 | 1 | Bolt, Hex |
| 14 | 0450123 | 2 | Bolt, Hex, Washer Face |
| 15 | 0450122 | 1 | Gasket |
| 16 | 0450932 | 1 | Plate, Exhaust Restrictor |

6/01

CRANKCASE

Scrambler 50 A02EA05CA



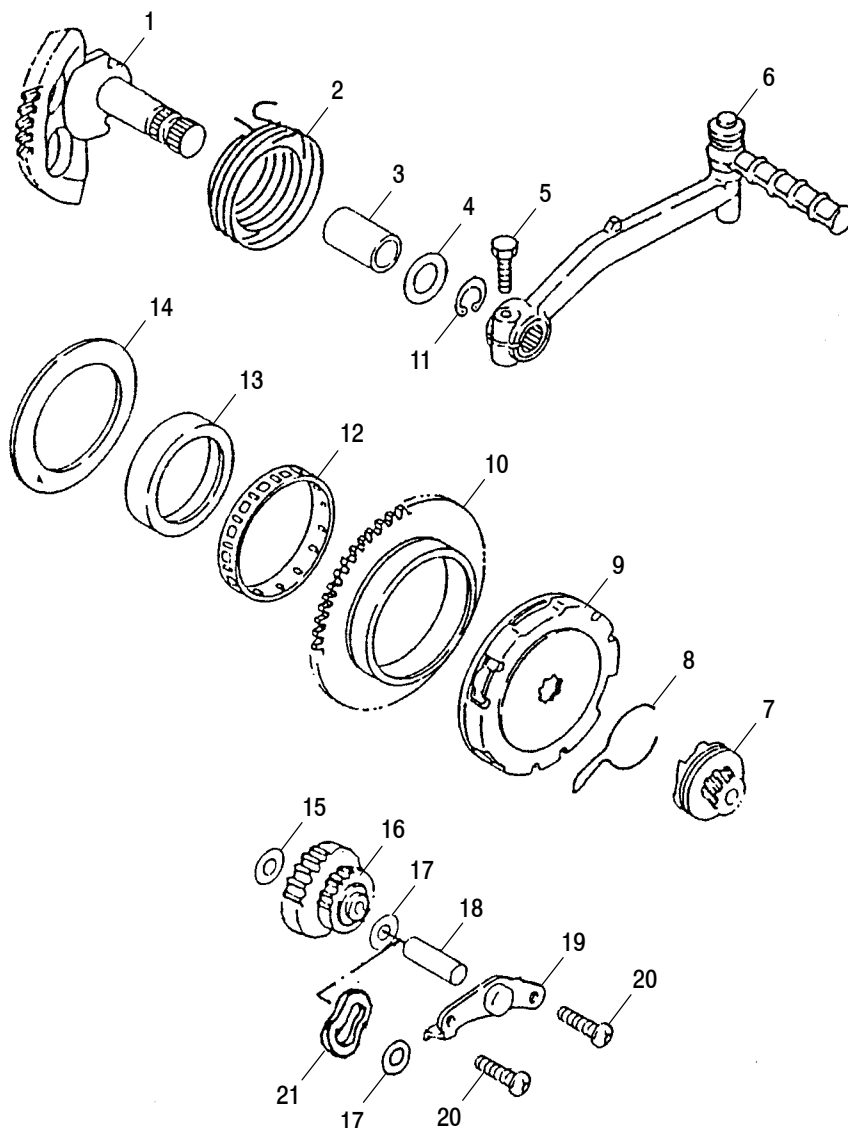
Part numbers may have changed since this microfiche was issued. To ensure that correct parts are received, refer to PartSmart, which is updated monthly.

| Ref. | Part No. | Qty. | Description |
|------|----------|------|---------------------|
| 1 | 0450159 | 1 | Gasket, Generator |
| 2 | 0450138 | 8 | Bolt, Socket |
| 3 | 0450170 | 1 | Plug, Rubber |
| 4 | 0450134 | 1 | Crankcase, RH |
| 5 | 0450137 | 2 | Pin, Dowel |
| 6 | 0450136 | 1 | Hose, Breather |
| 7 | 0450133 | 1 | Head, Breather Hose |
| 8 | 0450161 | 1 | Circlip, Internal |
| 9 | 0450153 | 1 | Plug, Oil |
| 10 | 0450154 | 1 | O-Ring |
| 11 | 0450132 | 1 | Bushing, Rubber |
| 12 | 0450130 | 1 | Crankcase, LH |
| 13 | 0450156 | 1 | Washer |
| 14 | 0450298 | 1 | Bolt, Hex |
| 15 | 0450162 | 1 | Circlip, Internal |
| 16 | 0450149 | 4 | Bolt, Pan, Phillips |
| 17 | 0450169 | 1 | Protector B |

| Ref. | Part No. | Qty. | Description |
|------|----------|------|-----------------------------|
| 18 | 0450165 | 1 | Protector A |
| 19 | 0450151 | 1 | Bolt, Socket, Hex |
| 20 | 0450145 | 1 | Cover, Crankcase, LH |
| 21 | 0450148 | 8 | Bolt, Socket, Hex |
| 22 | 0450674 | 1 | Tube, Breather |
| 23 | 0450142 | 4 | Pin, Dowel |
| 24 | 0450139 | 1 | Cover, Mission |
| 25 | 0450140 | 1 | Gasket, Cover, Mission |
| 26 | 0450157 | 1 | Bracket, Oil Seal |
| 27 | 0450158 | 1 | Bolt, Socket, Hex |
| 28 | 0450707 | 1 | Duct |
| 29 | 0450143 | 2 | Bolt, Pan Head |
| 30 | 0450039 | 3 | Bolt, Pan Head |
| 31 | 0450141 | 1 | Gasket, Crankcase Cover, LH |
| 32 | 0450147 | 1 | Shaft, Pin |
| 33 | 0450160 | 1 | Bracket, Carburetor Tube |

STARTER

Scrambler 50 A02EA05CA



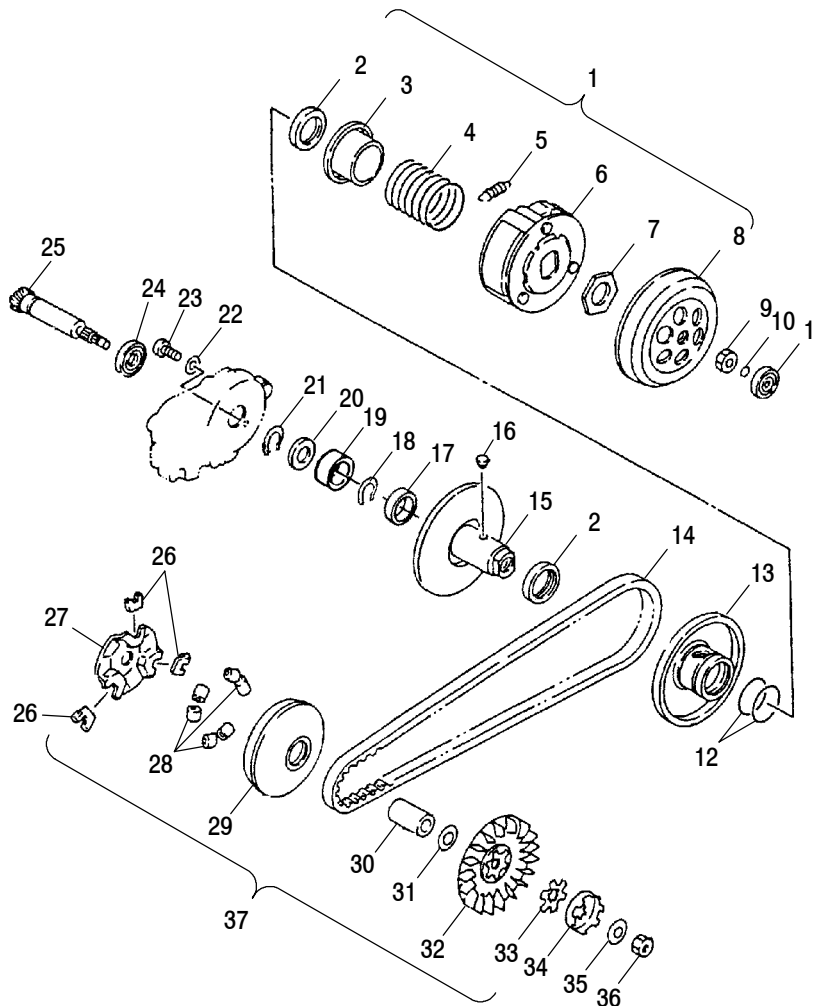
Part numbers may have changed since this microfiche was issued. To ensure that correct parts are received, refer to PartSmart, which is updated monthly.

| Ref. | Part No. | Qty. | Description |
|------|----------|------|-------------------------------|
| 1 | 0450183 | 1 | Asm., Kick Shaft |
| 2 | 0450184 | 1 | Spring, Reset, Starter Shaft |
| 3 | 0450185 | 1 | Bushing |
| 4 | 0450186 | 1 | Washer |
| 5 | 0450189 | 1 | Bolt, Hex |
| 6 | 0450569 | 1 | Asm., Kick Crank |
| 7 | 0450190 | 1 | Asm., Kick Pinion |
| 8 | 0450191 | 1 | Clip, Spring |
| 9 | 0450175 | 1 | Clutch Set, Starter, Electric |
| 10 | 0450171 | 1 | Wheel, Starter |
| 11 | 0450187 | 1 | Circlip, External |

| Ref. | Part No. | Qty. | Description |
|------|----------|------|-------------------|
| 12 | 0450172 | 1 | Bearing, Needle |
| 13 | 0450173 | 1 | Boss, Gear |
| 14 | 0450174 | 1 | Washer |
| 15 | 0450192 | 1 | Washer |
| 16 | 0450177 | 1 | Asm., Idle Gear |
| 17 | 0450180 | 2 | Washer |
| 18 | 0450682 | 1 | Pin, Shaft |
| 19 | 0450181 | 1 | Plate, Idle Gear |
| 20 | 0450805 | 2 | Bolt, Socket, Hex |
| 21 | 0450193 | 1 | Washer, Wave |

DRIVE PULLEY

Scrambler 50 A02EA05CA



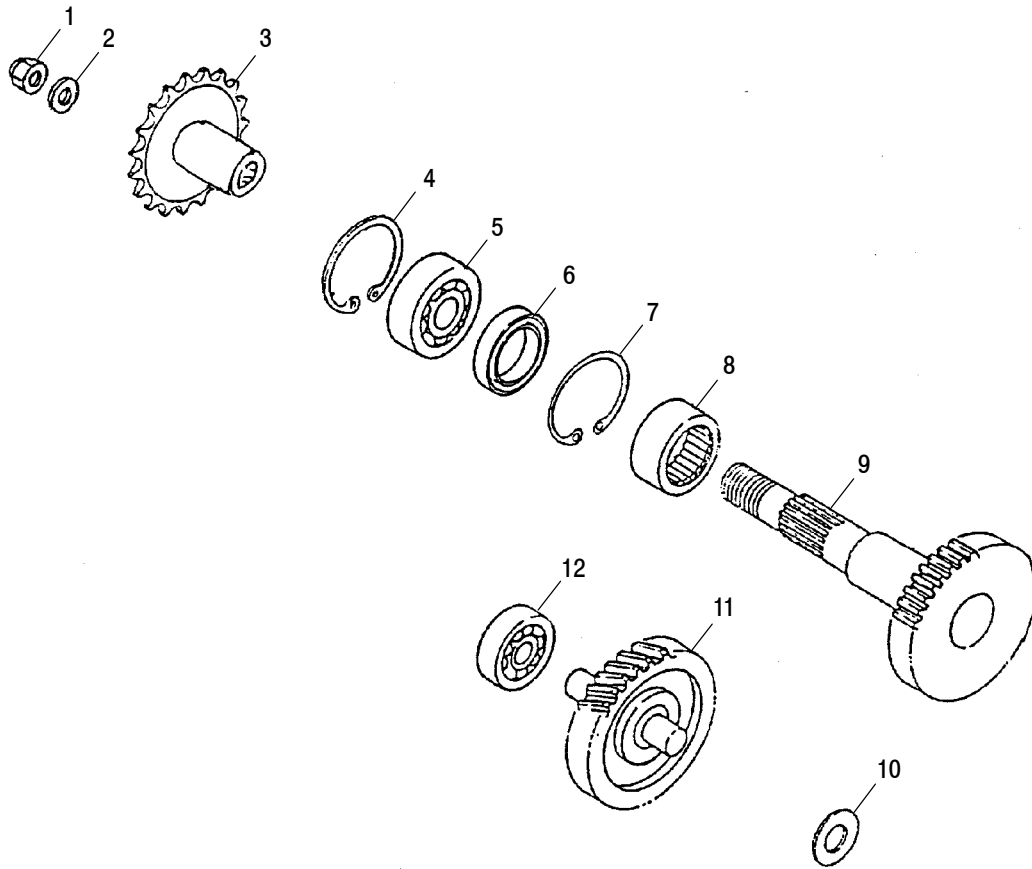
Part numbers may have changed since this microfiche was issued. To ensure that correct parts are received, refer to PartSmart, which is updated monthly.

| Ref. | Part No. | Qty. | Description |
|------|----------|------|--|
| 1 | 0450201 | 1 | Asm., Secondary Sheave (Incl. 2,3,4,5,6,7,8,12,13,15,16) |
| 2 | 0450211 | 2 | Seal, Oil |
| 3 | 0450218 | 1 | Seat, Spring, Secondary |
| 4 | 0450216 | 1 | Spring, Compression |
| 5 | 0450205 | 3 | Spring, Weight, Clutch |
| 6 | 0450203 | 1 | Carrier, Clutch |
| 7 | 0450220 | 1 | Nut |
| 8 | 0450222 | 1 | Cover, Clutch |
| 9 | 0450224 | 1 | Nut, Hex |
| 10 | 0450226 | 1 | O-Ring |
| 11 | 0450225 | 1 | Bearing |
| 12 | 0450212 | 2 | Ring, Oil |
| 13 | 0450209 | 1 | Wheel, Slot, Sliding, Secondary |
| 14 | 0450238 | 1 | V-Belt |
| 15 | 0450207 | 1 | Wheel, Slot, Fixed, Secondary |
| 16 | 0450214 | 2 | Pin, Guide |
| 17 | 0451016 | 1 | Bearing, Ball |
| 18 | 0451017 | 1 | Circlip |
| 19 | 0451015 | 1 | Bearing, Needle |

| Ref. | Part No. | Qty. | Description |
|------|----------|------|--|
| 20 | 0450200 | 1 | Seal, Oil |
| 21 | 0450198 | 1 | Circlip, External |
| 22 | 0450041 | 1 | Washer, Plain |
| 23 | 0450158 | 1 | Bolt, Socket, Hex |
| 24 | 0450199 | 1 | Bearing |
| 25 | 0450194 | 1 | Asm., Primary Drive |
| 26 | 0450233 | 3 | Slider |
| 27 | 0450231 | 1 | Plate, Cam |
| 28 | 0450229 | 6 | Roller, Weight |
| 29 | 0450227 | 1 | Wheel, Slot, Sliding, Primary |
| 30 | 0450235 | 1 | Bushing |
| 31 | 0450237 | 1 | Washer |
| 32 | 0450240 | 1 | Sheave, Fixed, Primary |
| 33 | 0450242 | 1 | Washer, Claw |
| 34 | 0450244 | 1 | Clutch, One-Way |
| 35 | 0450247 | 1 | Washer, Spring, Cone |
| 36 | 0450249 | 1 | Nut, Flange |
| 37 | 0450251 | 1 | Asm., Sliding Drive Face (Incl. 26,27,28,29,30,31,32,33) |

DRIVE SHAFT

Scrambler 50 A02EA05CA



Part numbers may have changed since this microfiche was issued. To ensure that correct parts are received, refer to PartSmart, which is updated monthly.

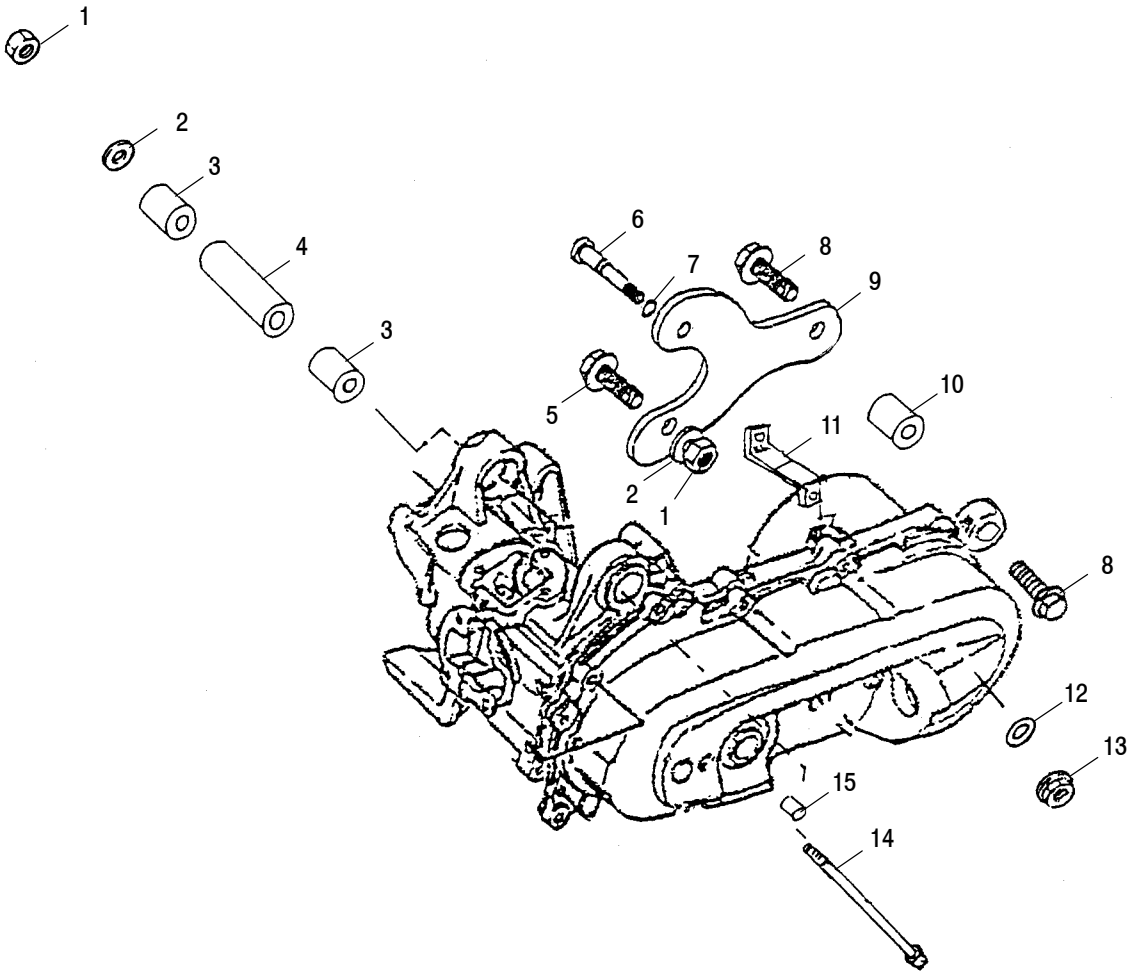
| Ref. Part No. | Qty. | Description |
|---------------|---------|-------------------|
| 1 | 0450265 | 1 Nut, Lock |
| 2 | 0450264 | 1 Washer |
| 3 | 0450725 | 1 Sprocket, Drive |
| 4 | 0450162 | 1 Circlip |
| 5 | 0450261 | 1 Bearing, Ball |
| 6 | 0450259 | 1 Seal, Oil |

| Ref. Part No. | Qty. | Description |
|---------------|---------|--------------------|
| 7 | 0450161 | 1 Circlip |
| 8 | 0450258 | 1 Bearing |
| 9 | 0450256 | 1 Asm., Drive Axle |
| 10 | 0450255 | 1 Washer |
| 11 | 0450252 | 1 Axle, Main |
| 12 | 0450254 | 1 Bearing, Ball |

6/01

ENGINE BRACKET

Scrambler 50 A02EA05CA



Part numbers may have changed since this microfiche was issued. To ensure that correct parts are received, refer to PartSmart, which is updated monthly.

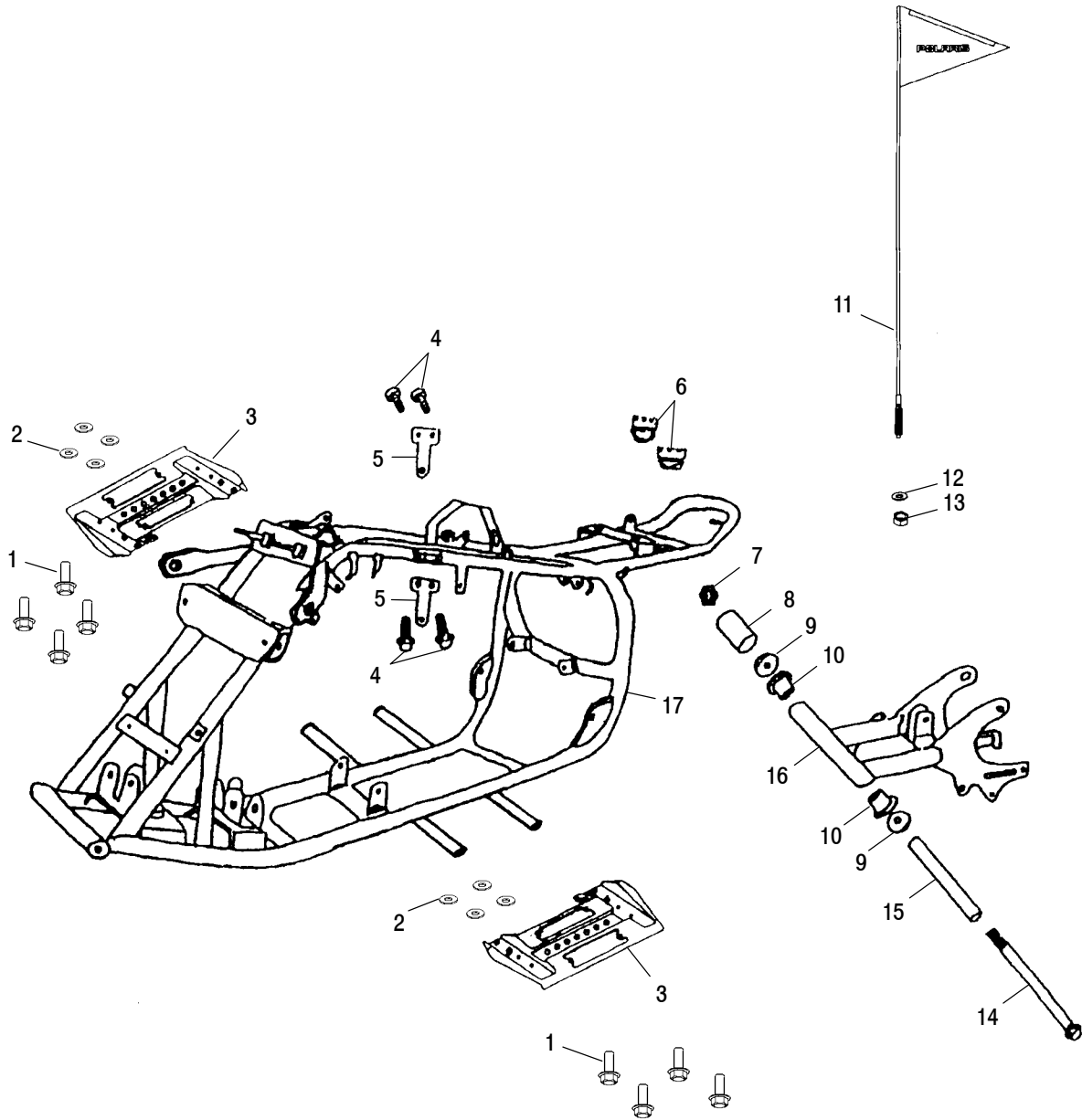
| Ref. Part No. | Qty. | Description |
|---------------|---------|--------------------------|
| 1 | 0450271 | 2 Nut, Hex |
| 2 | 0450286 | 2 Washer |
| 3 | 0450284 | 2 Bushing, Rubber, Front |
| 4 | 0450283 | 1 Tube, Fixed, Front |
| 5 | 0450270 | 1 Bolt, Hex |
| 6 | 0450266 | 1 Shaft, Fixed |
| 7 | 0450709 | 1 O-Ring |
| 8 | 0450684 | 2 Bolt, Hex, Washer Face |

| Ref. Part No. | Qty. | Description |
|---------------|---------|--------------------------|
| 9 | 0450269 | 1 Bracket, Engine |
| 10 | 0450132 | 1 Bushing, Rubber |
| 11 | 0450287 | 1 Plate, Fixed, Oil Tank |
| 12 | 0450192 | 1 Washer |
| 13 | 0450268 | 1 Nut, Flange, Hex |
| 14 | 0450285 | 1 Bolt, Hex |
| 15 | 0450278 | 1 Collar |

6/01

FRAME BODY

Scrambler 50 A02EA05CA



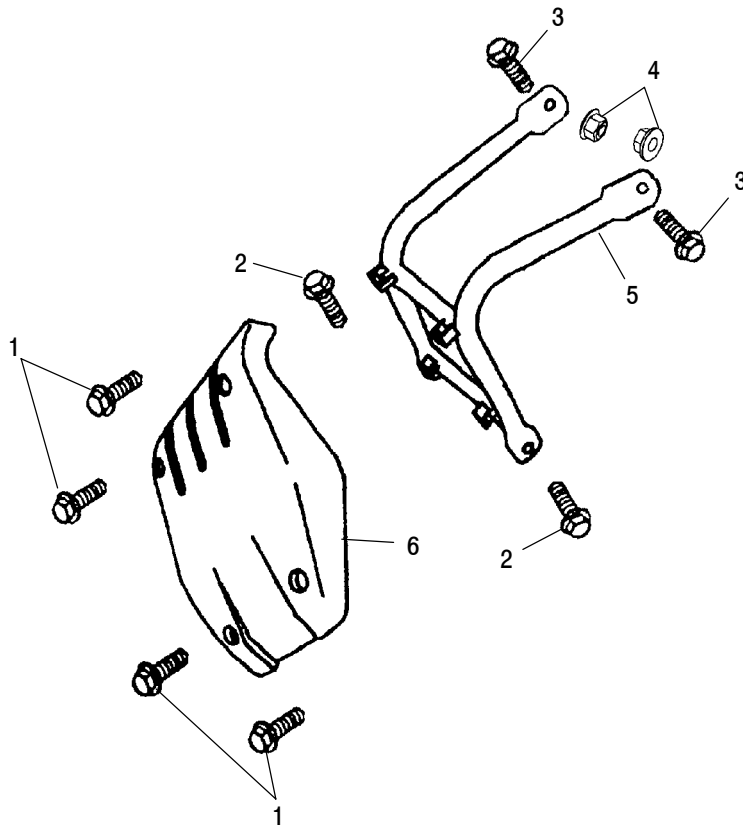
Part numbers may have changed since this microfiche was issued. To ensure that correct parts are received, refer to PartSmart, which is updated monthly.

| Ref. | Part No. | Qty. | Description |
|------|----------|------|-------------------------|
| 1 | 0450325 | 8 | Bolt, Hex, Washer Face |
| 2 | 0450613 | 8 | Grommet, Footrest |
| 3 | 0450591 | 2 | Board, Bottom, Footwell |
| 4 | 0450887 | 4 | Bolt, Hex, Washer Face |
| 5 | 0450299 | 2 | Plate, Engine Bracket |
| 6 | 0450290 | 2 | Rubber, Seat |
| 7 | 0450878 | 1 | Nut, Lock |
| 8 | 0450304 | 1 | Sleeve, Rubber |
| 9 | 0450303 | 2 | Cover, Swing Arm Seal |

| Ref. | Part No. | Qty. | Description |
|------|----------|------|----------------------|
| 10 | 0450302 | 2 | Seat, Grease Contain |
| 11 | 0450993 | 1 | Asm., Flag |
| 12 | 0450844 | 1 | Washer, Spring |
| 13 | 0450845 | 1 | Nut, Hex |
| 14 | 0450305 | 1 | Bolt, Hex |
| 15 | 0450301 | 1 | Tube, Spacer |
| 16 | 0450926 | 1 | Subasm., Swing Arm |
| 17 | 0450589 | 1 | Frame |

BUMPER

Scrambler 50 A02EA05CA



Part numbers may have changed since this microfiche was issued. To ensure that correct parts are received, refer to PartSmart, which is updated monthly.

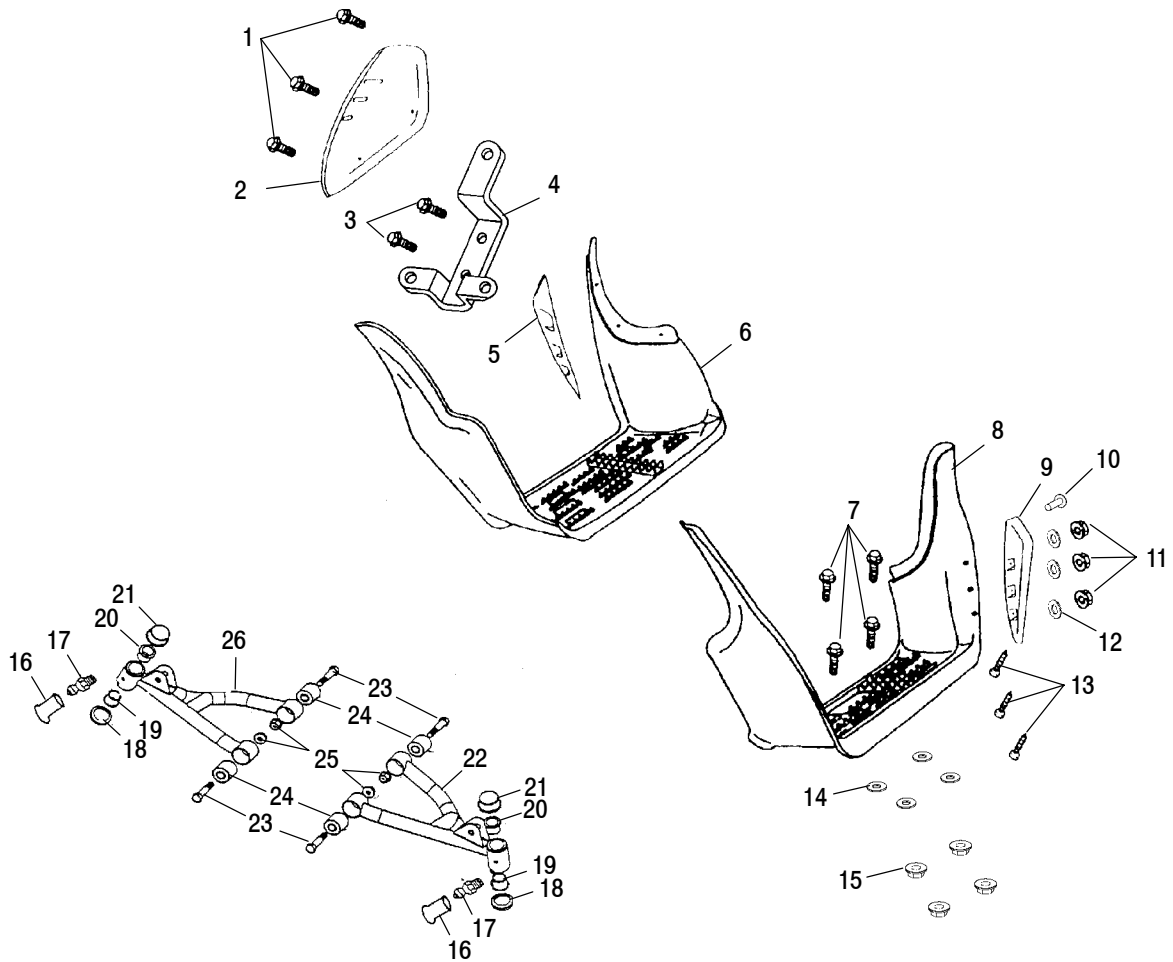
| Ref. | Part No. | Qty. | Description |
|------|----------|------|------------------------|
| 1 | 0450701 | 4 | Bolt, Hex, Washer Face |
| 2 | 0450298 | 2 | Bolt, Hex, Washer Face |
| 3 | 0450309 | 2 | Bolt, Hex, Washer Face |

| Ref. | Part No. | Qty. | Description |
|------|----------|------|---------------|
| 4 | 0450150 | 2 | Nut, Lock |
| 5 | 0450596 | 1 | Bumper |
| 6 | 0450597 | 1 | Cover, Bumper |

6/01

SWING ARM / FOOTREST

Scrambler 50 A02EA05CA

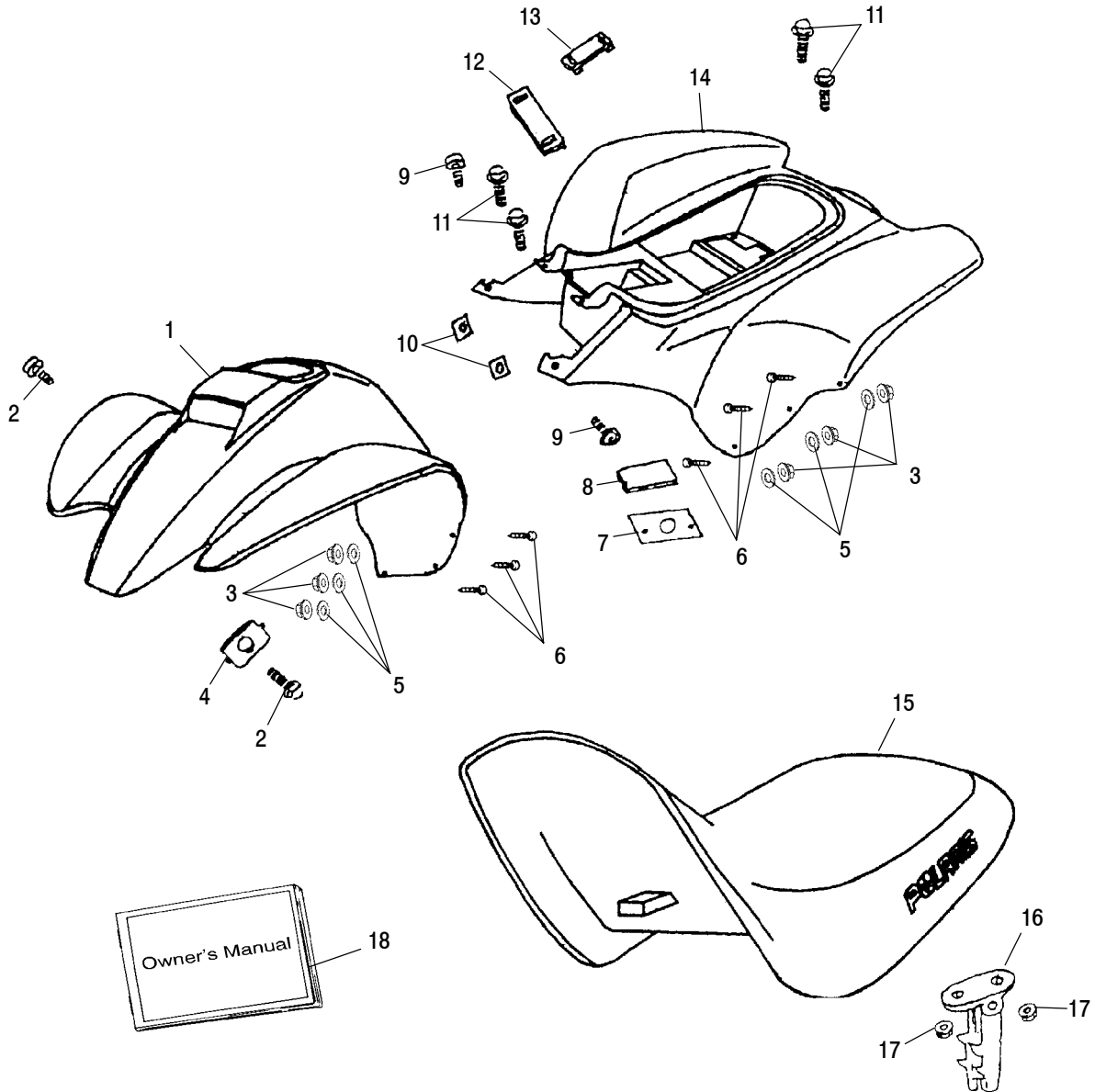


Part numbers may have changed since this microfiche was issued. To ensure that correct parts are received, refer to PartSmart, which is updated monthly.

| Ref. | Part No. | Qty. | Description |
|------|----------|------|------------------------|
| 1 | 0450701 | 3 | Bolt, Hex, Washer Face |
| 2 | 0450611 | 1 | Shield, Heat |
| 3 | 0450298 | 2 | Bolt, Hex, Washer Face |
| 4 | 0450612 | 1 | Support, Heat Shield |
| 5 | 0450610 | 1 | Mudflap, RH |
| 6 | 0450607 | 1 | Footrest, LH |
| 7 | 0450340 | 8 | Bolt, Hex, Washer Face |
| 8 | 0450608 | 1 | Footrest, RH |
| 9 | 0450609 | 1 | Mudflap, LH |
| 10 | 0450676 | 2 | Screw, Tapping |
| 11 | 0450823 | 6 | Nut, Lock |
| 12 | 0450743 | 6 | Washer, Plain |
| 13 | 0450822 | 6 | Bolt, Phillips |

| Ref. | Part No. | Qty. | Description |
|------|----------|------|------------------------|
| 14 | 0450879 | 8 | Washer, Plain |
| 15 | 0450808 | 8 | Nut, Lock |
| 16 | 0450321 | 2 | Cap, Rubber |
| 17 | 0450320 | 2 | Valve, Grease |
| 18 | 0450317 | 2 | Rubber, Dustproof |
| 19 | 0450314 | 2 | Seat, Grease Contain |
| 20 | 0450313 | 2 | Seat, Grease Contain |
| 21 | 0450316 | 2 | Cover, Waterproof |
| 22 | 0450902 | 1 | Arm, Suspension, LH |
| 23 | 0450820 | 4 | Bolt, Hex, Washer Face |
| 24 | 0450288 | 4 | Bushing |
| 25 | 0450249 | 4 | Nut, Flange |
| 26 | 0450901 | 1 | Arm, Suspension, RH |

FENDER / SEAT Scrambler 50 A02EA05CA



Part numbers may have changed since this microfiche was issued. To ensure that correct parts are received, refer to PartSmart, which is updated monthly.

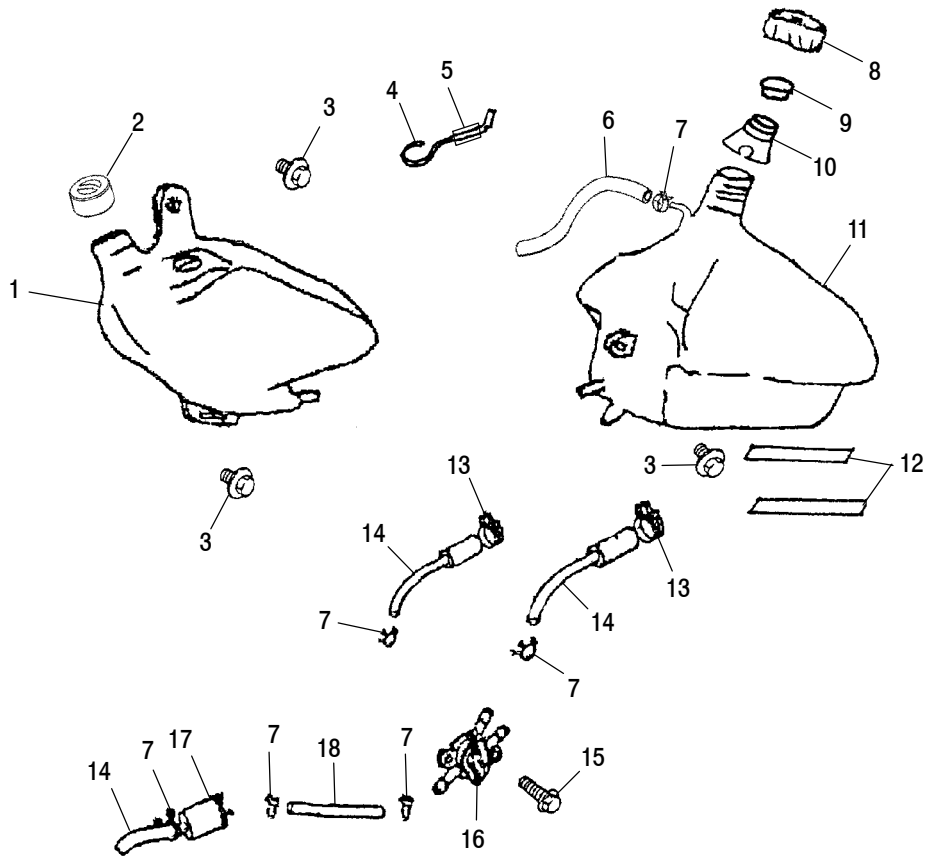
| Ref. Part No. | Qty. | Description |
|---------------|---------|----------------------|
| 1 | 0450619 | 1 Fender, Front |
| 2 | 0450824 | 2 Bolt w/Washer, Hex |
| 3 | 0450741 | 16 Nut, Lock |
| 4 | 0450353 | 2 Plate, Fix |
| 5 | 0450710 | 16 Washer, Plain |
| 6 | 0450667 | 16 Bolt, Phillips |
| 7 | 0450345 | 1 Pad, Protector |
| 8 | 0450346 | 1 Rubber, Battery |
| 9 | 0450297 | 2 Bolt, Pan |

| Ref. Part No. | Qty. | Description |
|---------------|---------|-----------------------------------|
| 10 | 0450342 | 2 Nut, U-Plate |
| 11 | 0450340 | 4 Bolt, Hex |
| 12 | 0450897 | 1 Strap, Battery |
| 13 | 0450898 | 1 Strap, Tool Box |
| 14 | 0450620 | 1 Fender, Rear |
| 15 | 0450355 | 1 Asm., Seat |
| 16 | 0450356 | 1 Hook, Seat |
| 17 | 0450880 | 2 Nut, Flange, Hex |
| 18 | 9917080 | 1 Manual, Owner's, 2002 Youth ATV |

6/01

OIL TANK / FUEL TANK

Scrambler 50 A02EA05CA



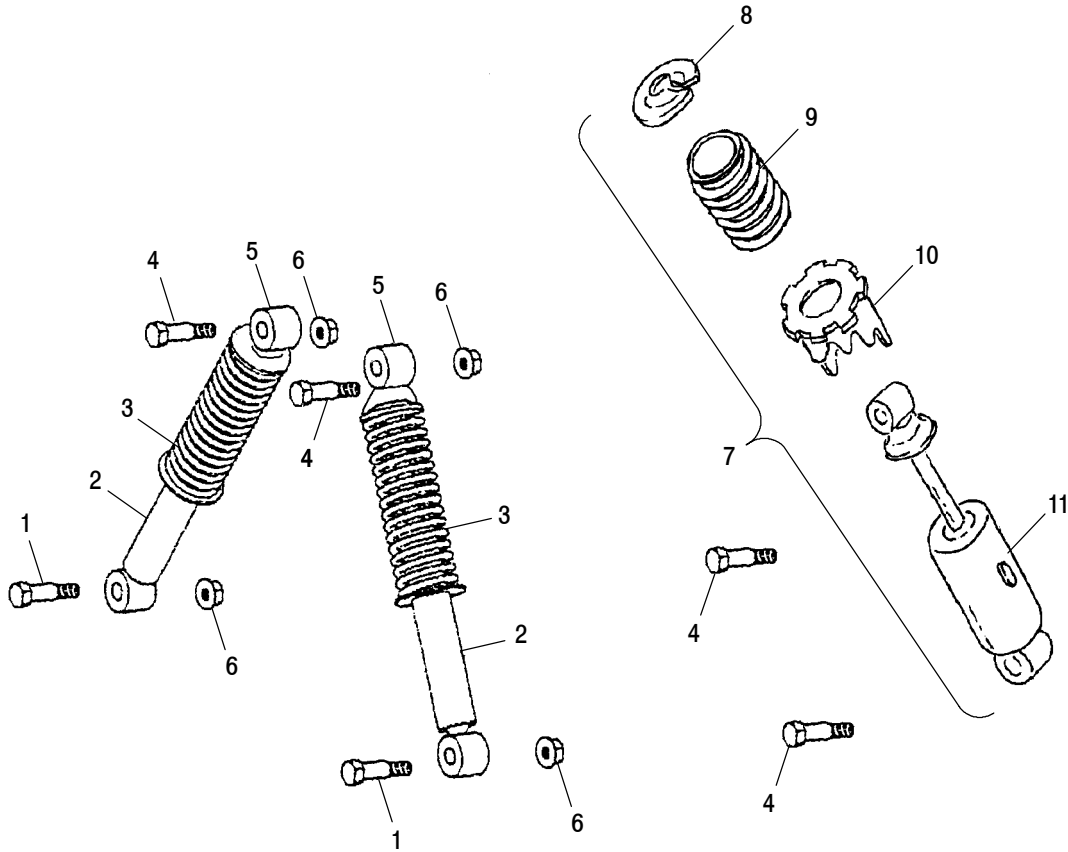
Part numbers may have changed since this microfiche was issued. To ensure that correct parts are received, refer to PartSmart, which is updated monthly.

| Ref. | Part No. | Qty. | Description |
|------|-------------|------|-----------------|
| 1 | 0450927 | 1 | Asm., Oil Tank |
| 2 | 0450903 | 1 | Cap, Oil Tank |
| 3 | 0450340 | 3 | Bolt, Hex |
| 4 | 0450373 | 1 | Hook, Fuel Tank |
| 5 | 0450826-035 | 1 | Tube, Oil, Side |
| 6 | 0450363-430 | 1 | Hose |
| 7 | 0450054 | 6 | Clip |
| 8 | 0450359 | 1 | Cap, Fuel Tank |
| 9 | 0450375 | 1 | Film, Breather |

| Ref. | Part No. | Qty. | Description |
|------|-------------|------|------------------------|
| 10 | 0450827 | 1 | Mat, Rubber |
| 11 | 0450358 | 1 | Tank, Fuel |
| 12 | 0450632 | 2 | Boot, Tank Neck |
| 13 | 0450361 | 2 | Clip |
| 14 | 0450825 | 3 | Hose |
| 15 | 0450701 | 1 | Bolt, Hex, Washer Face |
| 16 | 0450366 | 1 | Asm., Manual Fuel Cup |
| 17 | 0450365 | 1 | Asm., Fuel Filter |
| 18 | 0450363-160 | 1 | Hose |

SUSPENSION

Scrambler 50 A02EA05CA



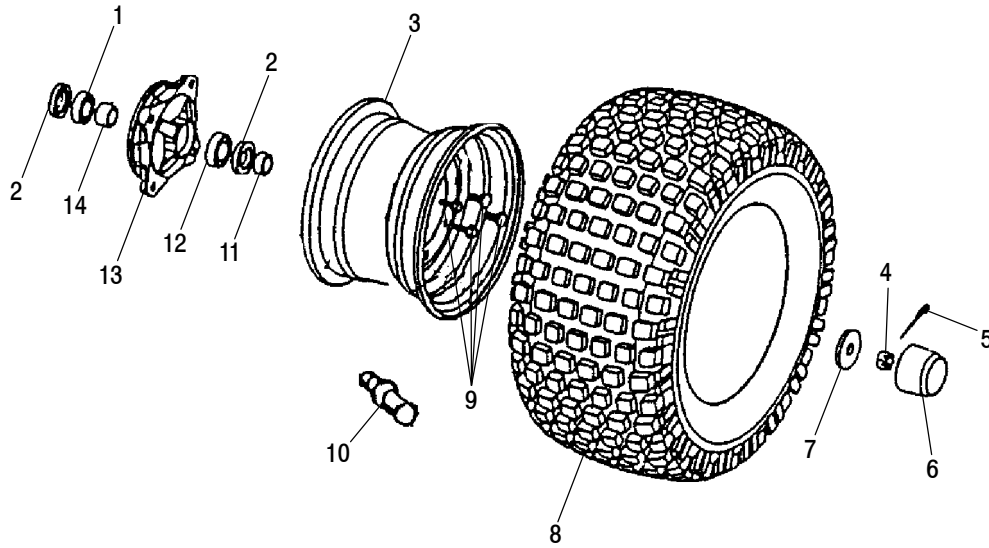
Part numbers may have changed since this microfiche was issued. To ensure that correct parts are received, refer to PartSmart, which is updated monthly.

| Ref. | Part No. | Qty. | Description |
|------|----------|------|-------------------------------|
| 1 | 0450868 | 2 | Bolt, Hex |
| 2 | 0450730 | 2 | Tube, Inner, Front Suspension |
| 3 | 0450937 | 2 | Spring, Front Suspension |
| 4 | 0450380 | 4 | Bolt, Hex |
| 5 | 0450936 | 2 | Suspension, Front (Incl. 2,3) |
| 6 | 0450249 | 4 | Nut, Flange |

| Ref. | Part No. | Qty. | Description |
|------|----------|------|------------------------------------|
| 7 | 0450934 | 1 | Suspension, Rear (Incl. 8,9,10,11) |
| 8 | 0450929 | 1 | Retainer, Spring |
| 9 | 0450935 | 1 | Spring, Rear Suspension |
| 10 | 0450894 | 1 | Collar, Adjustment |
| 11 | 0450940 | 1 | Tube, Inner, Rear Suspension |

FRONT WHEEL

Scrambler 50 A02EA05CA



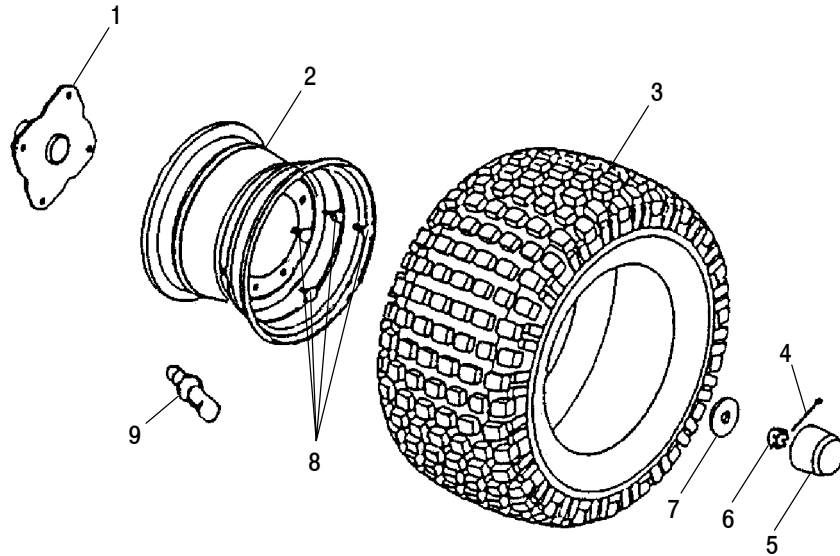
Part numbers may have changed since this microfiche was issued. To ensure that correct parts are received, refer to PartSmart, which is updated monthly.

| Ref. | Part No. | Qty. | Description |
|------|----------|------|-------------|
| 1 | 0450393 | 2 | Bearing |
| 2 | 0450389 | 4 | Seal, Oil |
| 3 | 0450828 | 2 | Rim, Wheel |
| 4 | 0450394 | 2 | Nut, Lock |
| 5 | 0450395 | 2 | Pin, Cotter |
| 6 | 0450829 | 2 | Cap, Rubber |
| 7 | 0450397 | 2 | Washer |

| Ref. | Part No. | Qty. | Description |
|------|----------|------|--------------------|
| 8 | 0450938 | 2 | Tire, 16x8-7 |
| 9 | 0450398 | 8 | Bolt, Carriage |
| 10 | 0450401 | 2 | Valve, Rim |
| 11 | 0450391 | 2 | Spacer, Outer |
| 12 | 0450392 | 2 | Bearing |
| 13 | 0450388 | 2 | Drum, Brake, Front |
| 14 | 0450390 | 2 | Spacer, Inner |

REAR WHEEL

Scrambler 50 A02EA05CA



Part numbers may have changed since this microfiche was issued. To ensure that correct parts are received, refer to PartSmart, which is updated monthly.

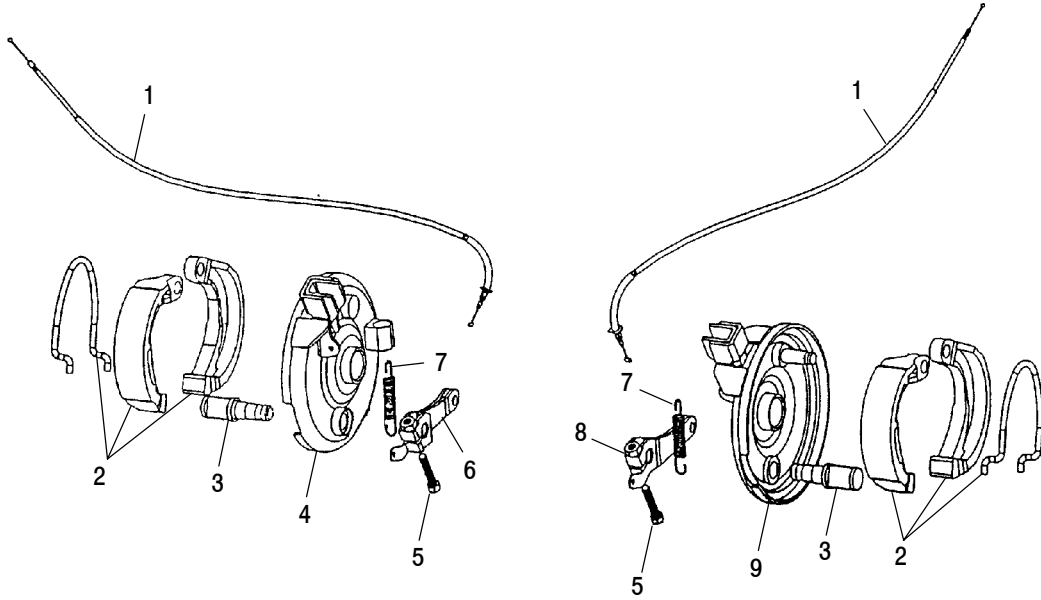
| Ref. | Part No. | Qty. | Description |
|------|----------|------|------------------|
| 1 | 0450831 | 2 | Connector, Shaft |
| 2 | 0450828 | 2 | Rim, Wheel |
| 3 | 0450938 | 2 | Tire (16x8-7) |
| 4 | 0450395 | 2 | Pin, Cotter |
| 5 | 0450829 | 2 | Cap, Rubber |

| Ref. | Part No. | Qty. | Description |
|------|----------|------|----------------|
| 6 | 0450409 | 2 | Nut, Lock |
| 7 | 0450412 | 2 | Washer |
| 8 | 0450398 | 8 | Bolt, Carriage |
| 9 | 0450401 | 2 | Valve, Rim |

6/01

FRONT BRAKE

Scrambler 50 A02EA05CA



Part numbers may have changed since this microfiche was issued. To ensure that correct parts are received, refer to PartSmart, which is updated monthly.

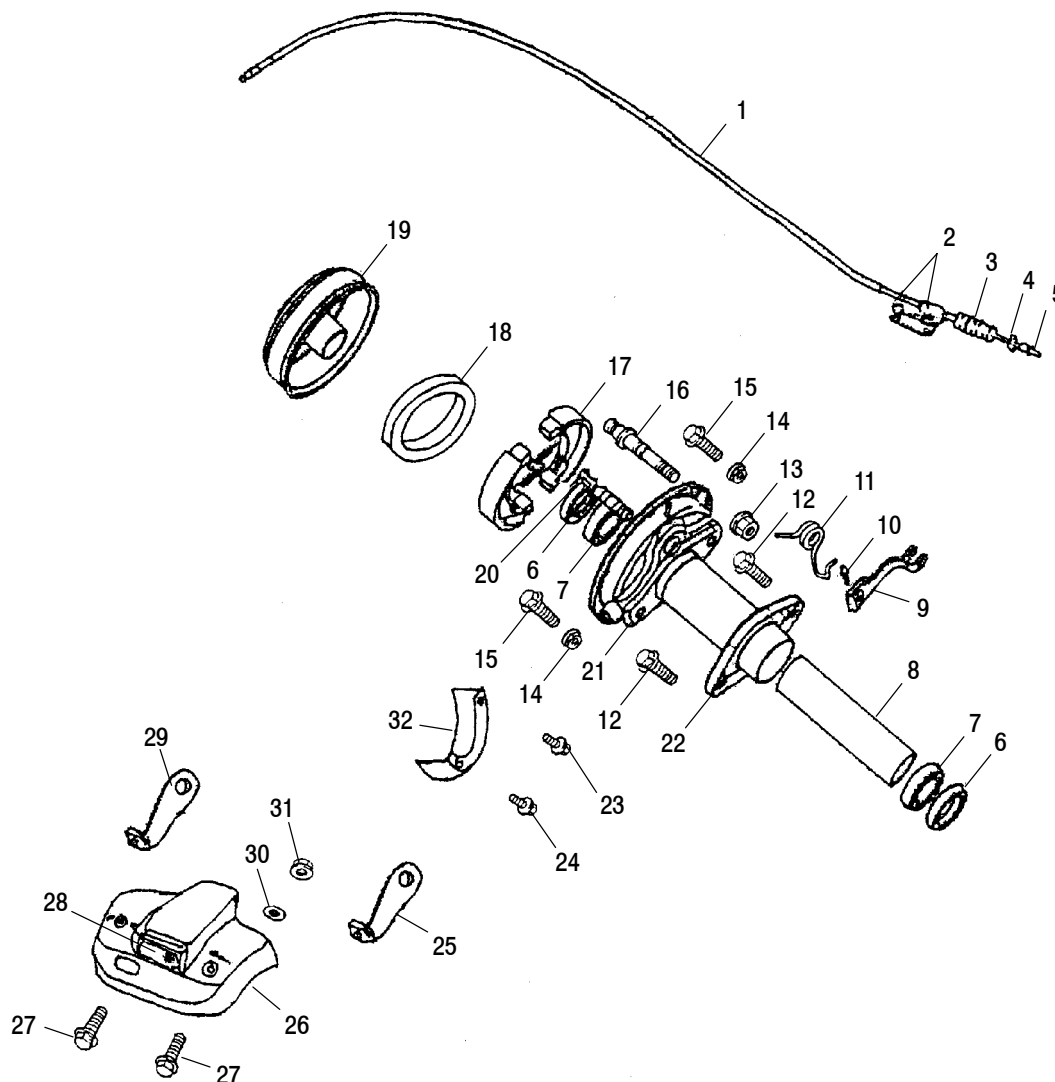
| Ref. | Part No. | Qty. | Description |
|------|----------|------|-------------------------|
| 1 | 0450426 | 2 | Cable, Front Brake |
| 2 | 0450422 | 2 | Asm., Shoe, Front Brake |
| 3 | 0450421 | 2 | Shaft, Cam, Front Brake |
| 4 | 0450912 | 1 | Plate, Front Brake, RH |
| 5 | 0450425 | 2 | Bolt, Hex |

| Ref. | Part No. | Qty. | Description |
|------|----------|------|------------------------|
| 6 | 0450913 | 1 | Arm, Front Brake, RH |
| 7 | 0450424 | 2 | Spring, Return, Front |
| 8 | 0450911 | 1 | Arm, Front Brake, LH |
| 9 | 0450910 | 1 | Plate, Front Brake, LH |

6/01

REAR BRAKE

Scrambler 50 A02EA05CA

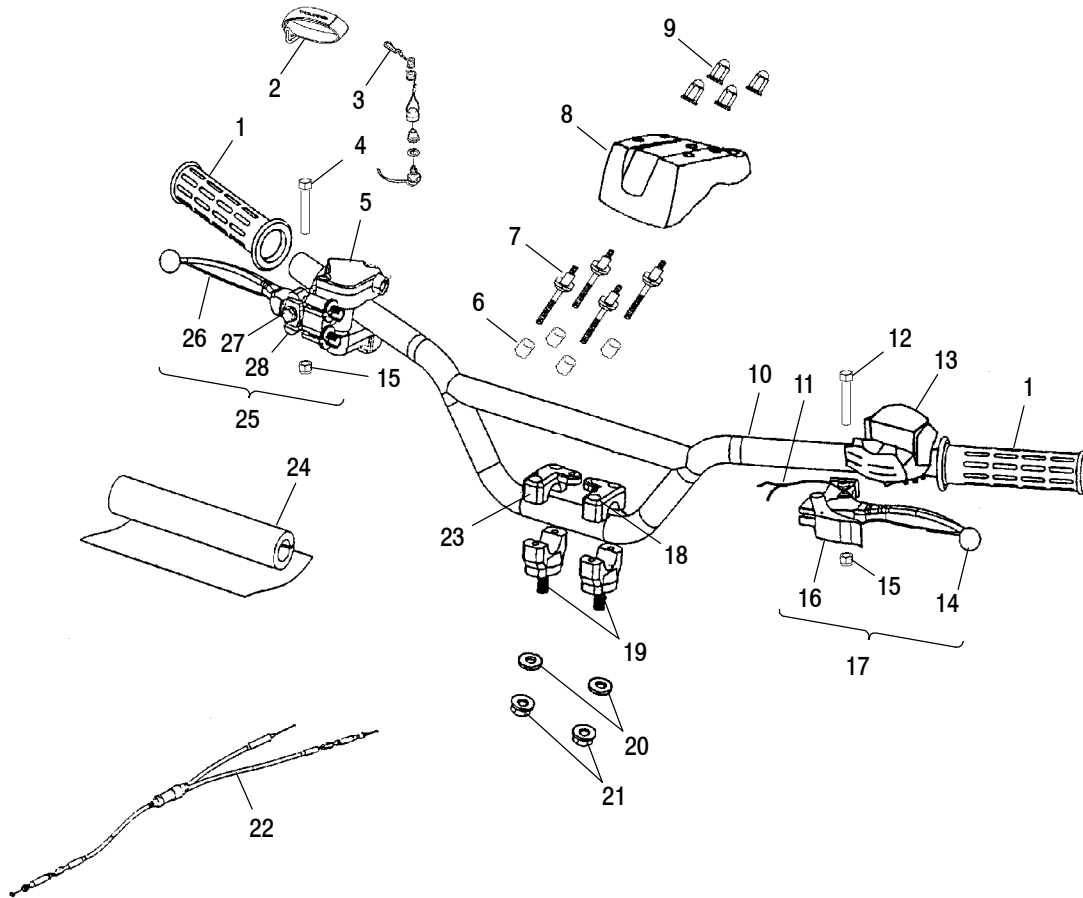


Part numbers may have changed since this microfiche was issued. To ensure that correct parts are received, refer to PartSmart, which is updated monthly.

| Ref. | Part No. | Qty. | Description | Ref. | Part No. | Qty. | Description |
|------|----------|------|---------------------------|------|----------|------|------------------------------|
| 1 | 0450731 | 1 | Cable, Rear Brake | 17 | 0450434 | 1 | Shoe, Rear Brake |
| 2 | 0450268 | 2 | Bolt, Hex | 18 | 0450442 | 1 | Rubber, Protective |
| 3 | 0450435 | 1 | Spring, Cable, Rear Brake | 19 | 0450441 | 1 | Drum, Rear Brake |
| 4 | 0450437 | 1 | Thru-Shaft, Rear Brake | 20 | 0450431 | 1 | Shaft, Cam, Rear Brake |
| 5 | 0450436 | 1 | Nut, Adjust, Brake | 21 | 0450440 | 1 | Plate, Rear Brake |
| 6 | 0450430 | 2 | Seal, Oil | 22 | 0450427 | 1 | Seat, Fix, Rear Axle |
| 7 | 0450429 | 2 | Bearing | 23 | 0450325 | 1 | Bolt, Hex |
| 8 | 0450428 | 1 | Tube, Spacer | 24 | 0450298 | 1 | Bolt, Hex |
| 9 | 0450687 | 1 | Arm, Rear Brake | 25 | 0450812 | 1 | Plate, Fixed, Rear Cover, RH |
| 10 | 0450433 | 1 | Bolt, Hex | 26 | 0450751 | 1 | Cover, Rear |
| 11 | 0450453 | 1 | Spring, Arm, Rear Brake | 27 | 0450340 | 2 | Bolt, Hex |
| 12 | 0450451 | 2 | Bolt, Hex | 28 | 0450446 | 1 | Reflector, Rear |
| 13 | 0450881 | 1 | Nut, Lock | 29 | 0450813 | 1 | Plate, Fixed, Rear Cover, LH |
| 14 | 0450529 | 2 | Nut, Flange | 30 | 0450643 | 1 | Washer, Plain |
| 15 | 0450452 | 2 | Bolt, Hex | 31 | 0450447 | 1 | Nut, Flange |
| 16 | 0450854 | 1 | Shaft, Fixed, Rear Brake | 32 | 0450833 | 1 | Cover, Protective |

HANDLEBAR

Scrambler 50 A02EA05CA



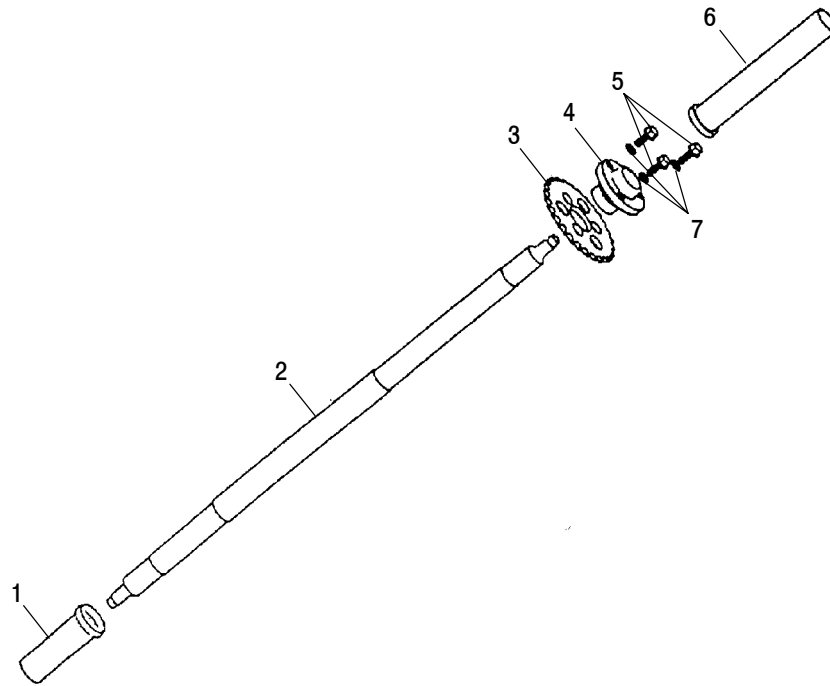
Part numbers may have changed since this microfiche was issued. To ensure that correct parts are received, refer to PartSmart, which is updated monthly.

| Ref. | Part No. | Qty. | Description |
|------|----------|------|------------------------|
| 1 | 0450835 | 2 | Grip, Handlebar |
| 2 | 7080891 | 1 | Wristband |
| 3 | 0450550 | 1 | Switch, Safety |
| 4 | 0450806 | 1 | Bolt, Brake Lever, RH |
| 5 | 0450689 | 1 | Asm., Throttle Block |
| 6 | 0450838 | 4 | Bushing |
| 7 | 0450716 | 4 | Bolt, Stud |
| 8 | 0450644 | 1 | Cover, Handlebar |
| 9 | 0450717 | 4 | Nut, Round Head |
| 10 | 0450646 | 1 | Handlebar |
| 11 | 0450836 | 1 | Harness, Sensor Switch |
| 12 | 0450807 | 1 | Bolt, Brake Lever, LH |
| 13 | 0450914 | 1 | Asm., Switch, LH |
| 14 | 0450690 | 1 | Lever, Brake, LH |

| Ref. | Part No. | Qty. | Description |
|------|----------|------|------------------------------------|
| 15 | 0450808 | 2 | Nut, Lock |
| 16 | 0450688 | 1 | Lock, Hand Brake |
| 17 | 0450665 | 1 | Asm., Lever LH (Incl. 12,14,15,16) |
| 18 | 0450460 | 1 | Cover, Clamp, LH |
| 19 | 0450459 | 2 | Clamp, Saddle |
| 20 | 0450279 | 2 | Washer |
| 21 | 0450276 | 2 | Nut, Lock |
| 22 | 0450471 | 1 | Cable, Throttle |
| 23 | 0450461 | 1 | Cover, Clamp, RH |
| 24 | 0450476 | 1 | Rubber, Protective |
| 25 | 0450666 | 1 | Asm., Lever, RH (Incl. 5,26-28) |
| 26 | 0450691 | 1 | Lever, Brake, RH |
| 27 | 0450309 | 1 | Bolt |
| 28 | 0450994 | 1 | Bracket, Brake Cable |

REAR WHEEL AXLE

Scrambler 50 A02EA05CA



Part numbers may have changed since this microfiche was issued. To ensure that correct parts are received, refer to PartSmart, which is updated monthly.

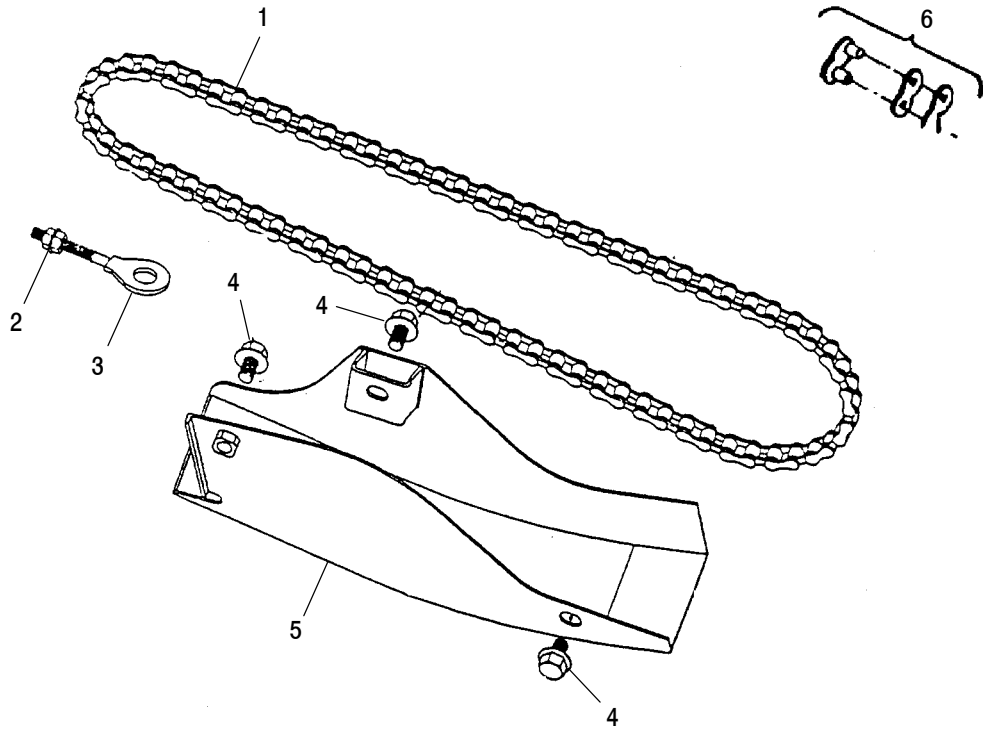
| Ref. | Part No. | Qty. | Description |
|------|----------|------|--|
| 1 | 0450479 | 1 | Tube, Spacer, LH |
| 2 | 0450477 | 1 | Axle, Rear |
| 3 | 0450484 | 1 | Asm., Final Drive Sprocket (Incl. 3,4,5,7) |
| | 0450480 | 1 | Sprocket, Drive, Final |

| Ref. | Part No. | Qty. | Description |
|------|----------|------|------------------|
| 4 | 0450481 | 1 | Hub, Sprocket |
| 5 | 0450323 | 3 | Bolt, Hex |
| 6 | 0450478 | 1 | Tube, Spacer, RH |
| 7 | 0450483 | 3 | Washer, Spring |

6/01

CHAIN

Scrambler 50 A02EA05CA



Part numbers may have changed since this microfiche was issued. To ensure that correct parts are received, refer to PartSmart, which is updated monthly.

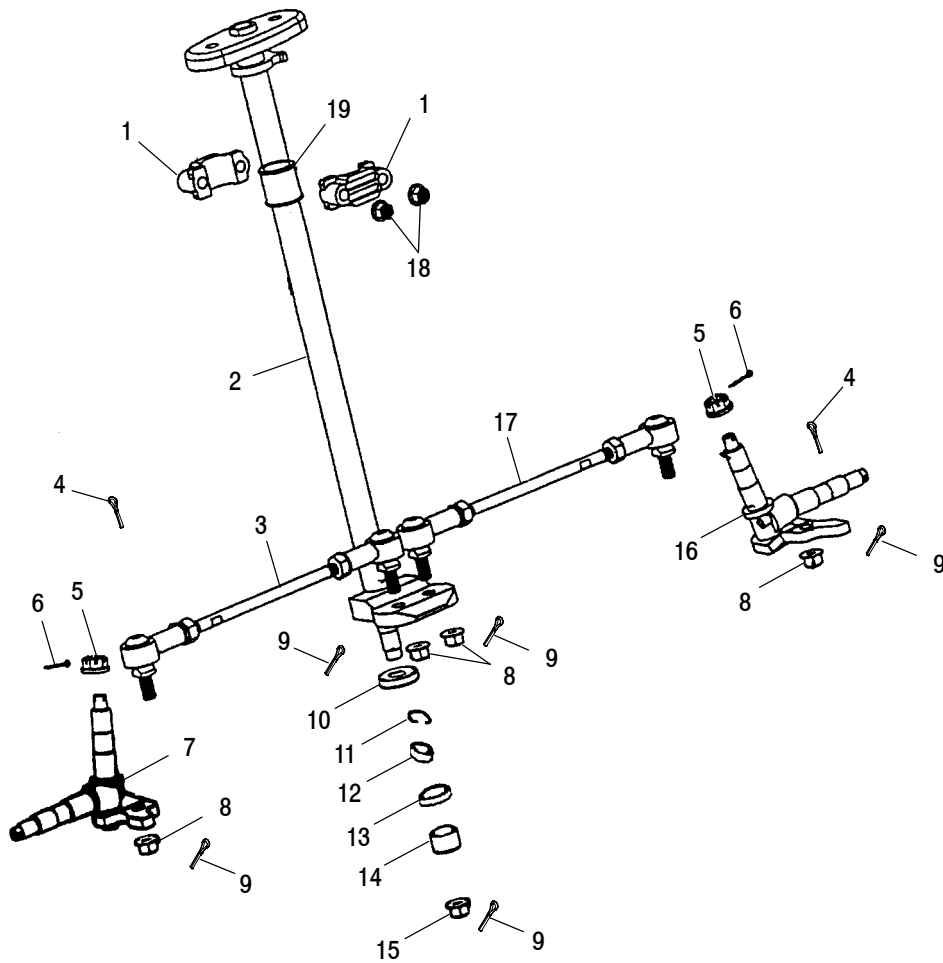
| Ref. Part No. | Qty. | Description |
|---------------|------|-------------------|
| 1 0450485 | 1 | Asm., Drive Chain |
| 2 0450489 | 2 | Nut, Hex |
| 3 0450488 | 1 | Adjuster, Chain |

| Ref. Part No. | Qty. | Description |
|---------------|------|---------------------------|
| 4 0450325 | 3 | Bolt, Hex |
| 5 0450486 | 1 | Cover, Protective |
| 6 0450972 | 1 | Link, Master, Drive Chain |

6/01

STEERING

Scrambler 50 A02EA05CA



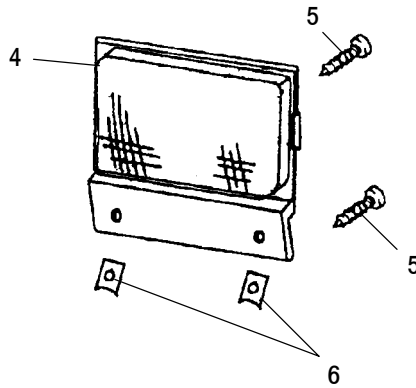
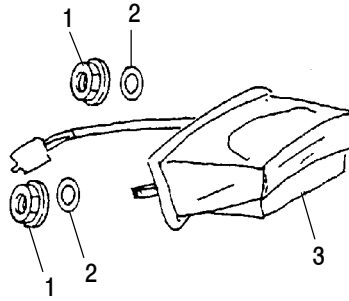
Part numbers may have changed since this microfiche was issued. To ensure that correct parts are received, refer to PartSmart, which is updated monthly.

| Ref. | Part No. | Qty. | Description |
|------|----------|------|--------------------------------|
| 1 | 0450505 | 2 | Bracket, Upper, Steering Shaft |
| 2 | 0450915 | 1 | Shaft, Steering |
| 3 | 0450918 | 1 | Asm., Tie Rod, LH |
| 4 | 0450395 | 2 | Pin, Cotter |
| 5 | 0450502 | 2 | Nut, Lock |
| 6 | 0450507 | 2 | Pin, Cotter |
| 7 | 0450916 | 1 | Knuckle, LH |
| 8 | 0450276 | 4 | Nut, Lock |
| 9 | 0450719 | 5 | Pin, Cotter, B |
| 10 | 0450491 | 1 | Seal, Oil |

| Ref. | Part No. | Qty. | Description |
|------|----------|------|------------------------|
| 11 | 0450161 | 1 | Circlip |
| 12 | 0450493 | 1 | Bearing, Ball |
| 13 | 0450389 | 1 | Seal, Oil |
| 14 | 0450390 | 1 | Spacer |
| 15 | 0450878 | 1 | Nut, Lock |
| 16 | 0450917 | 1 | Knuckle, RH |
| 17 | 0450919 | 1 | Asm., Tie Rod, RH |
| 18 | 0450268 | 2 | Nut, Flange |
| 19 | 0450499 | 1 | Sleeve, Steering Shaft |

HEADLIGHT / BRAKELIGHT

Scrambler 50 A02EA05CA



Part numbers may have changed since this microfiche was issued. To ensure that correct parts are received, refer to PartSmart, which is updated monthly.

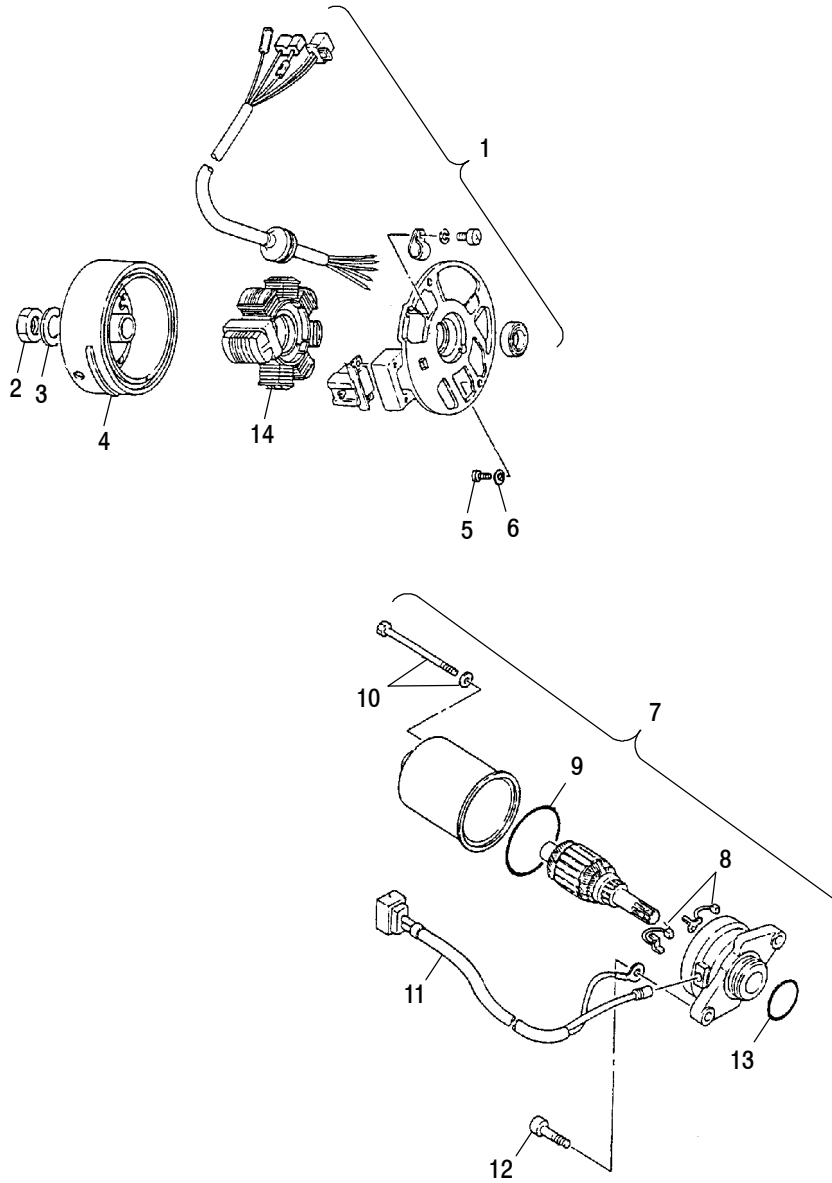
| Ref. | Part No. | Qty. | Description |
|------|----------|------|------------------|
| 1 | 0450880 | 2 | Nut, Flange, Hex |
| 2 | 0450041 | 2 | Washer, Plain |
| 3 | 0450515 | 1 | Asm., Brakelight |
| | 0450995 | 1 | Bulb, Taillight |

| Ref. | Part No. | Qty. | Description |
|------|----------|------|-----------------|
| 4 | 0450720 | 1 | Asm., Headlight |
| 5 | 0450676 | 2 | Screw, Tapping |
| 6 | 0450752 | 2 | U-Nut |

10/01

GENERATOR / STARTING MOTOR

Scrambler 50 A02EA05CA



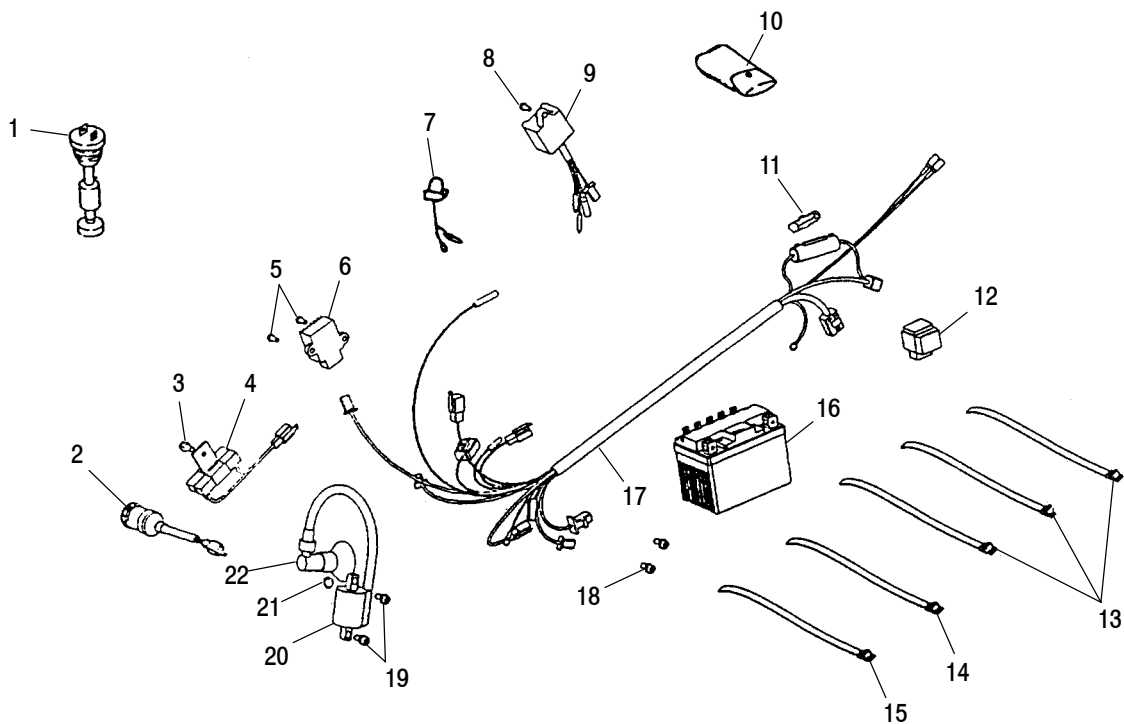
Part numbers may have changed since this microfiche was issued. To ensure that correct parts are received, refer to PartSmart, which is updated monthly.

| Ref. | Part No. | Qty. | Description |
|------|----------|------|---|
| 1 | 0450520 | 1 | Asm., Generator (Incl. 1,4) |
| | 0450522 | 1 | Stator |
| 2 | 0450249 | 1 | Nut, Lock, Nylon |
| 3 | 0450279 | 1 | Washer |
| 4 | 0450524 | 1 | Flywheel |
| 5 | 0450033 | 2 | Bolt, Socket, Hex |
| 6 | 0450034 | 1 | Washer, Plain |
| 7 | 0450532 | 1 | Asm., Starting Motor (Incl. 8,9,10,11,13) |

| Ref. | Part No. | Qty. | Description |
|------|----------|------|--------------|
| 8 | 0450534 | 1 | Brush Set |
| 9 | 0450536 | 1 | Ring, Oil |
| 10 | 0450540 | 2 | Bolt Set |
| 11 | 0450840 | 1 | Cord |
| 12 | 0450039 | 2 | Bolt, Socket |
| 13 | 0450538 | 1 | Ring, Oil |
| 14 | 0450522 | 1 | Stator |

ELECTRICAL PARTS

Scrambler 50 A02EA05CA



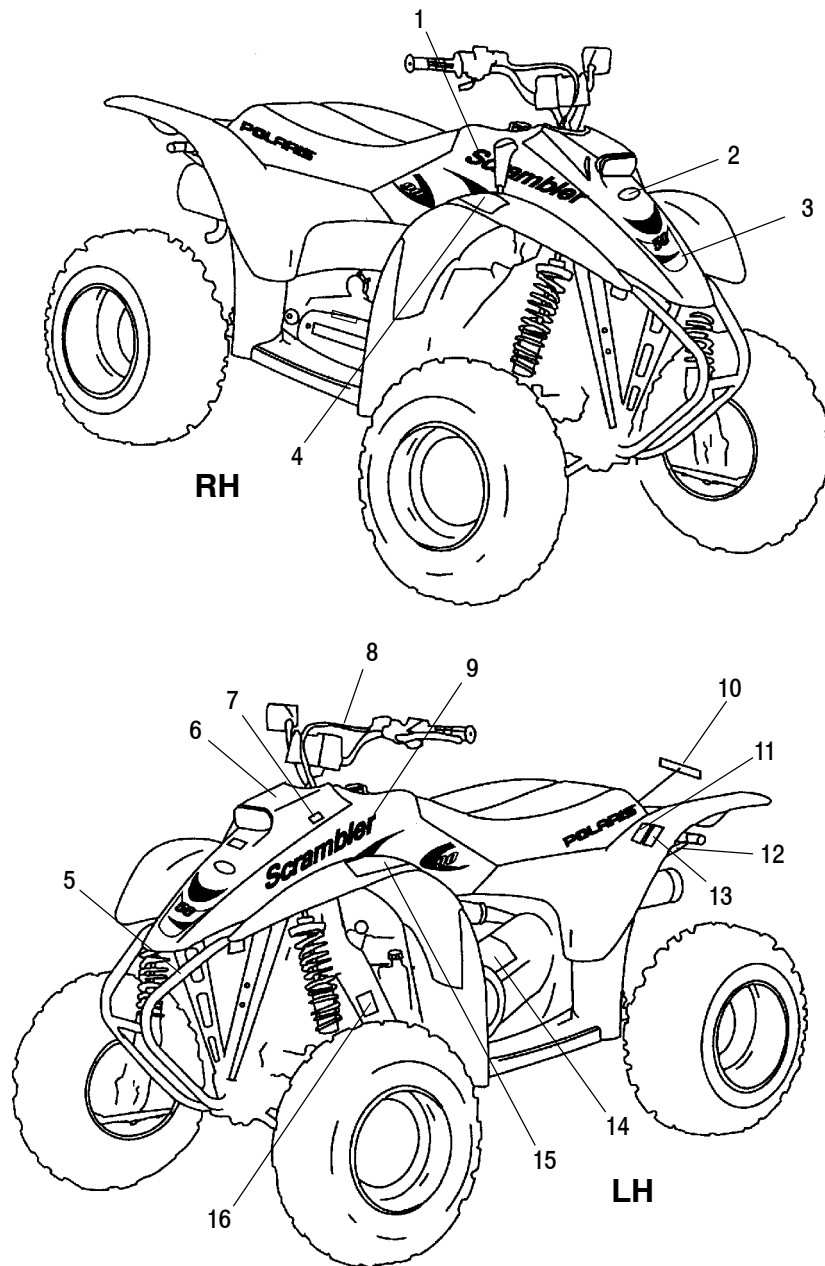
Part numbers may have changed since this microfiche was issued. To ensure that correct parts are received, refer to PartSmart, which is updated monthly.

| Ref. Part No. | Qty. | Description | |
|---------------|---------|-------------|------------------------|
| 1 | 0450558 | 1 | Asm., Oil Level Gauge |
| 2 | 0450549 | 1 | Asm., Main Switch |
| 3 | 0450701 | 1 | Bolt, Hex, Washer Face |
| 4 | 0450554 | 1 | Asm., Resistor |
| 5 | 0450057 | 2 | Bolt, Pan, Phillips |
| 6 | 0450553 | 1 | Rectifier/Regulator |
| 7 | 0450557 | 1 | Lamp, Warning, Oil |
| 8 | 0450309 | 1 | Bolt, Hex |
| 9 | 0450975 | 1 | Asm., CDI Unit |
| 10 | 0450563 | 1 | Bag, Tool |
| 11 | 0450842 | 1 | Fuse |

| Ref. Part No. | Qty. | Description | |
|---------------|---------|-------------|--------------------------------|
| 12 | 0450555 | 1 | Asm., Starter Relay |
| 13 | 0450559 | 3 | Strap |
| 14 | 0450721 | 1 | Strap |
| 15 | 0450742 | 1 | Strap |
| 16 | 0450930 | 1 | Battery |
| 17 | 0450939 | 1 | Asm., Main Wire |
| 18 | 0450888 | 2 | Bolt and Nut, Battery |
| 19 | 0450556 | 2 | Bolt, Hex |
| 20 | 0450753 | 1 | Asm., Ignition Coil (Incl. 22) |
| 21 | 0450890 | 1 | Washer, Star |
| 22 | 0450889 | 1 | Cap, Spark Plug |

DECALS

Scrambler 50 A02EA05CA



Part numbers may have changed since this microfiche was issued. To ensure that correct parts are received, refer to PartSmart, which is updated monthly.

| Ref. | Part No. | Qty. | Description |
|------|----------|------|-------------------------------------|
| 1 | 7079969 | 1 | Decal, Tank Side, RH |
| 2 | 7078465 | 1 | Logo, Polaris Star |
| 3 | 7079970 | 1 | Decal, Front Cover |
| 4 | 7079090 | 1 | Decal, Age Warning, 6, ATV, Youth |
| 5 | 0450679 | 2 | Decal, Side Reflector, Front Rack |
| 6 | 7079289 | 1 | Decal, Youth Canadian Certification |
| 7 | 7079290 | 1 | Decal, Youth CE |
| 8 | 0450475 | 1 | Decal, Oil Lamp |

| Ref. | Part No. | Qty. | Description |
|------|----------|------|--------------------------------------|
| 9 | 7079968 | 1 | Decal, Tank Side, LH |
| 10 | 7079971 | 2 | Decal, Rear Cab, "POLARIS" |
| 11 | 7077920 | 1 | Decal, Passenger Warning |
| 12 | 0450680 | 2 | Decal, Side Reflector, Rear Rack |
| 13 | 7079092 | 1 | Decal, Caution, Tire Pressure 50 |
| 14 | 7079288 | 1 | Decal, Youth Warning, Clutch Cover |
| 15 | 7079133 | 1 | Decal, Warning, General, CPSC, Youth |
| 16 | 7079287 | 1 | Decal, Youth Carb/Filter Information |

6/01



PRINTED IN THE USA

PARTS MANUAL PN 9917081 and MICROFICHE PN 9918266 9/02

Changed pages in 9917081

| | 1 | 2 | 3 | 4 | 5 | 6 | 7 | 8 | 9 | 10 | 11 | 12 | 13 | 14 |
|---|-------|-----|---|---|---|---|---|---|---|----|----|----|----|----|
| A | cover | toc | | | | | | x | | | | x | | |
| B | | | | | | | | | | | | | | |
| C | | | | | | | | | | | | | | |
| D | | | | | | | | | | | | | | |
| E | | | | | | | | | | | | | | |
| F | | | | | | | | | | | | | | |
| G | | | | | | | | | | | | | | |
| | 1 | 2 | 3 | 4 | 5 | 6 | 7 | 8 | 9 | 10 | 11 | 12 | 13 | 14 |